

This Quick Start Guide is intended to highlight a typical installation; these instructions are not intended to be comprehensive. Because each application is unique, it is the responsibility of the purchaser, designer, installer and end user to ensure that the total door system is safe for intended use. Please consult the manual for further information at: [www.liftmaster.com/catalogresourcesv3/en-us/shared/files/tucmanuals/114a4961.pdf](http://www.liftmaster.com/catalogresourcesv3/en-us/shared/files/tucmanuals/114a4961.pdf).

To watch a video, go to <https://www.youtube.com/watch?v=MnU0P4b9uE>

This garage door opener is compatible with:

- Doors that use a torsion bar and springs. The torsion bar must be 1" (2.5 cm) diameter. NOT compatible with reverse wound drums.
- 4-6" (10-15 cm) drums. NOT compatible with tapered drums over 6" (15 cm).
- High lift doors up to 54" (137.2 cm) high and standard lift sectional doors up to 14 ft. (4.3 m) high.
- Doors up to 18 ft. (5.5 m) wide.
- Doors up to 180 sq. ft. (16.7 sq. m).

### Carton Inventory

Garage Door Opener, Smart Control Panel®, 3-Button Remote Control, Battery, Collar, Mounting Bracket, Automatic Garage Door Lock, Cable Tension Monitor, MyQ® LED Remote Light, The Protector System™ (1 Sending Sensor and 1 Receiving Sensor), Safety Reversing Sensor Bracket (2), 2 Conductor Bell Wire, Safety Labels and Literature

### Hardware

Screw #10-32 (2), Screw 14-10x2" (4), Handle, Rope, Screw 1/4"-20x1/2" (2), Drywall Anchor (Screw-In) (2), Screw 8-32x1" (2), Screw 6ABx1-1/4" (2), Drywall Anchor (2), Screw 6-32x1" (2), Carriage Bolt 1/4"-20x1/2" (2), Wing Nut 1/4"-20 (2)

### Hardware for MyQ LED Remote Light

Drywall Anchor (Screw-In) (2), Screw #6x1" (2)

## IMPORTANT INSTALLATION INSTRUCTIONS

### WARNING

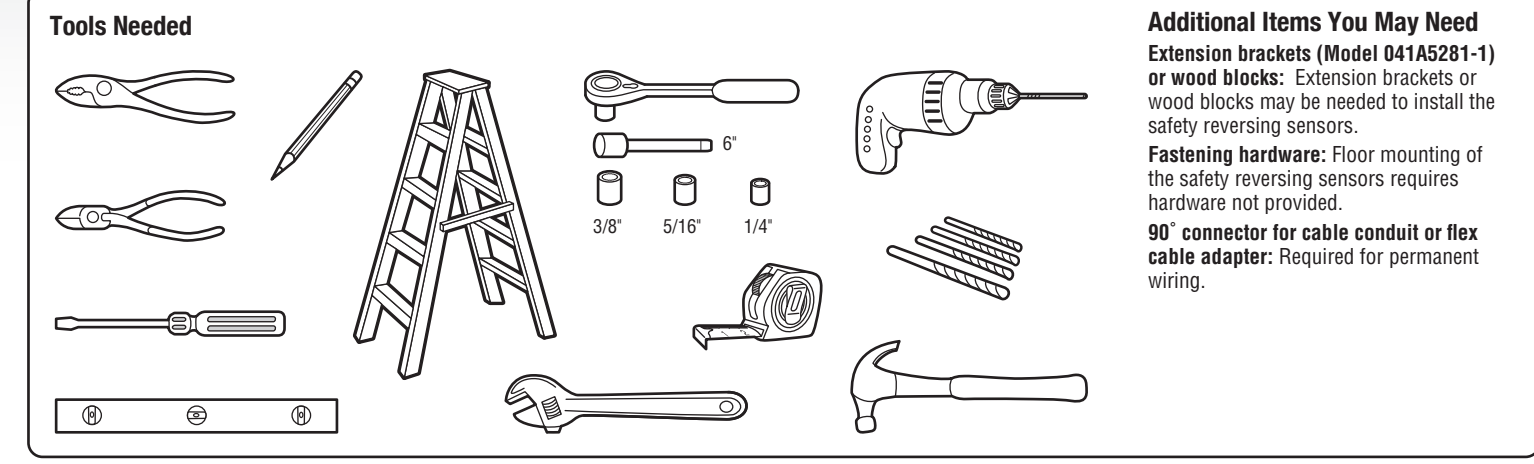
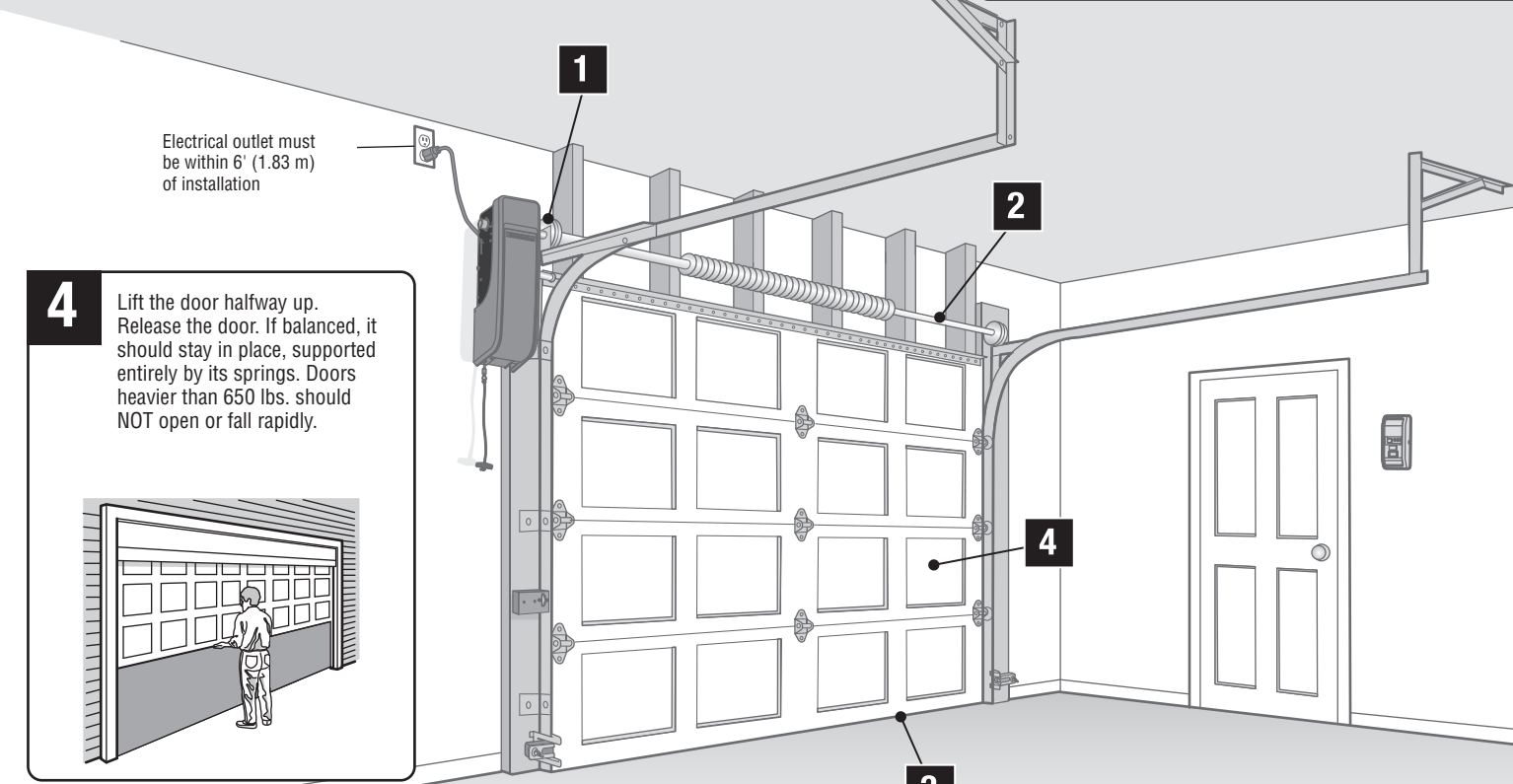
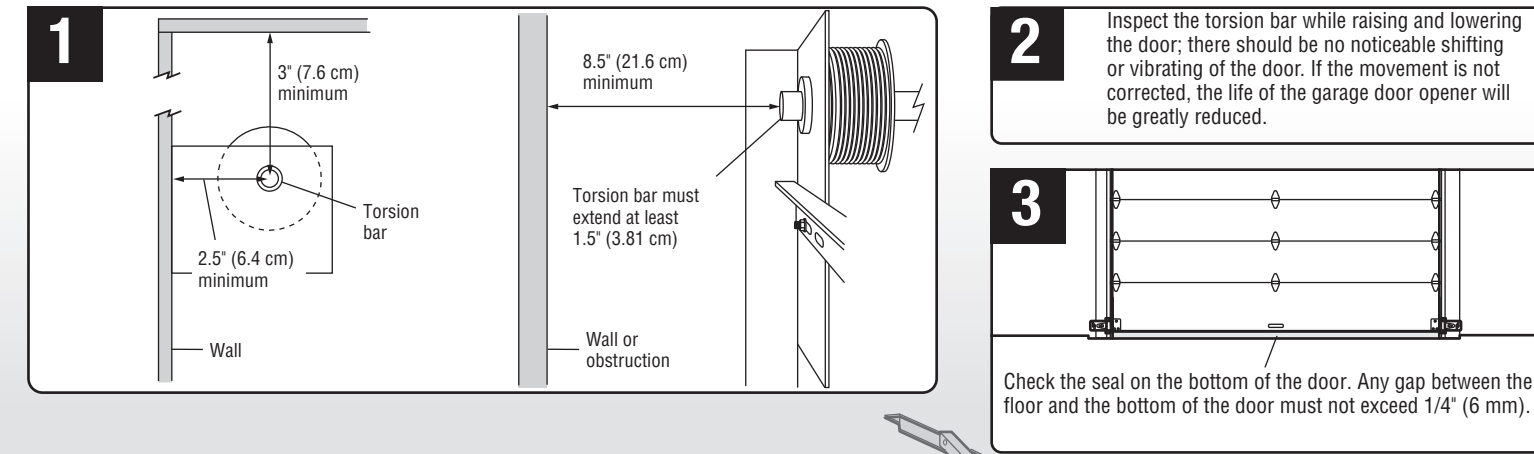
## To reduce the risk of SEVERE INJURY or DEATH:

- THIS QUICK START IS NOT INTENDED TO REPLACE THE MANUAL, BUT SERVES AS A REMINDER FOR THOSE FAMILIAR WITH THE MANUAL AND THE INSTALLATION OF THIS PRODUCT.
- READ AND FOLLOW ALL INSTALLATION WARNINGS AND INSTRUCTIONS IN THE INSTALLATION MANUAL.
- Install garage door opener ONLY on properly balanced and lubricated garage door. An improperly balanced door may NOT reverse when required and could result in SEVERE INJURY or DEATH.
- ALL repairs to cables, spring assemblies and other hardware MUST be made by a trained door systems technician BEFORE installing opener.
- Disable ALL locks and remove ALL ropes connected to garage door BEFORE installing opener to avoid entanglement.
- Where possible, install the door opener 7 feet (2.13 m) or more above the floor.
- Mount the emergency release within reach, but at least 6 feet (1.83 m) above the floor and avoiding contact with vehicles to avoid accidental release.
- NEVER connect garage door opener to power source until instructed to do so.
- NEVER wear watches, rings or loose clothing while installing or servicing opener. They could be caught in garage door or opener mechanisms.
- Install wall-mounted garage door control:
  - within sight of the garage door.
  - out of reach of small children at a minimum height of 5 feet (1.53 m) above floors, landings, steps or any other adjacent walking surface.
  - away from ALL moving parts of the door.
- Install the emergency release marking. Attach the marking on or next to the emergency release. Install the entrapment warning placard next to the door control in a prominent location.
- Place emergency release/safety reverse test label in plain view on inside of garage door.
- Upon completion of installation, test safety reversal system. Door MUST reverse on contact with a 1-1/2" (3.8 cm) high object (or a 2x4 laid flat) on the floor.

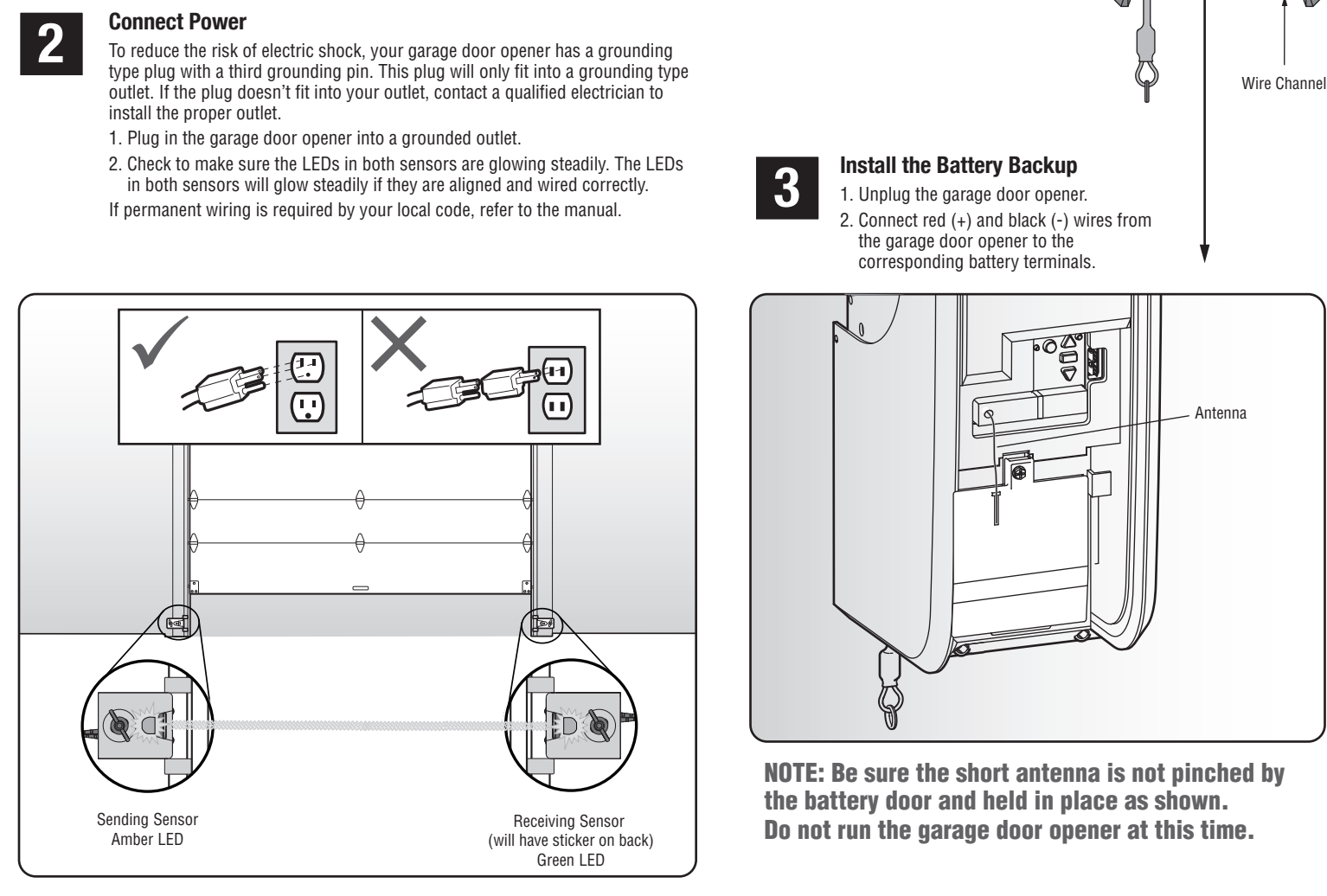
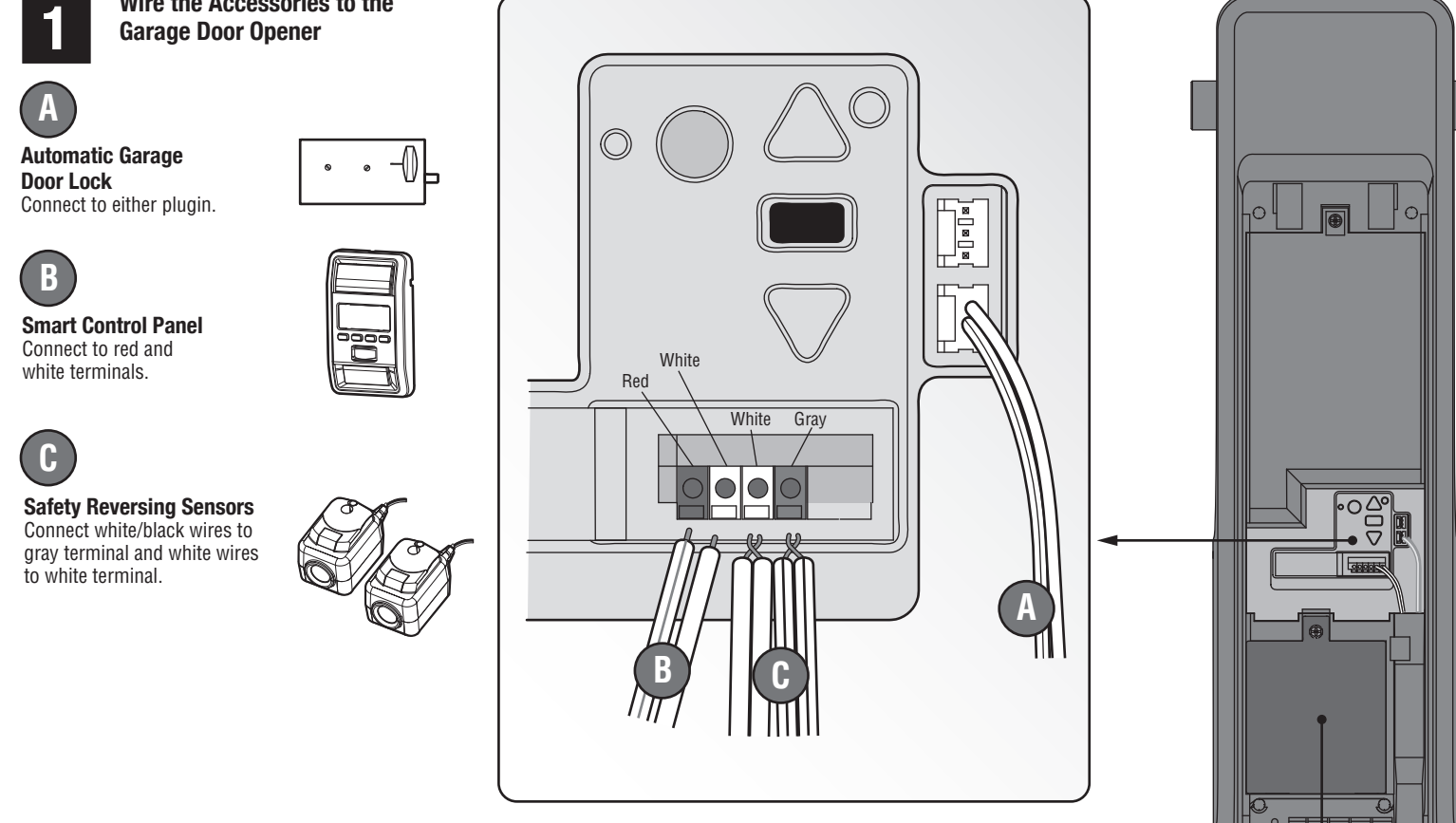
**WARNING:** This product can expose you to chemicals including lead, which are known to the State of California to cause cancer or birth defects or other reproductive harm. For more information go to [www.P65Warnings.ca.gov](http://www.P65Warnings.ca.gov).

## STEP 1 PLANNING

Inspect the proposed installation area to make sure it meets the requirements below. The garage door opener can be installed on either side of the door. The illustrations shown are for installation on the left side.

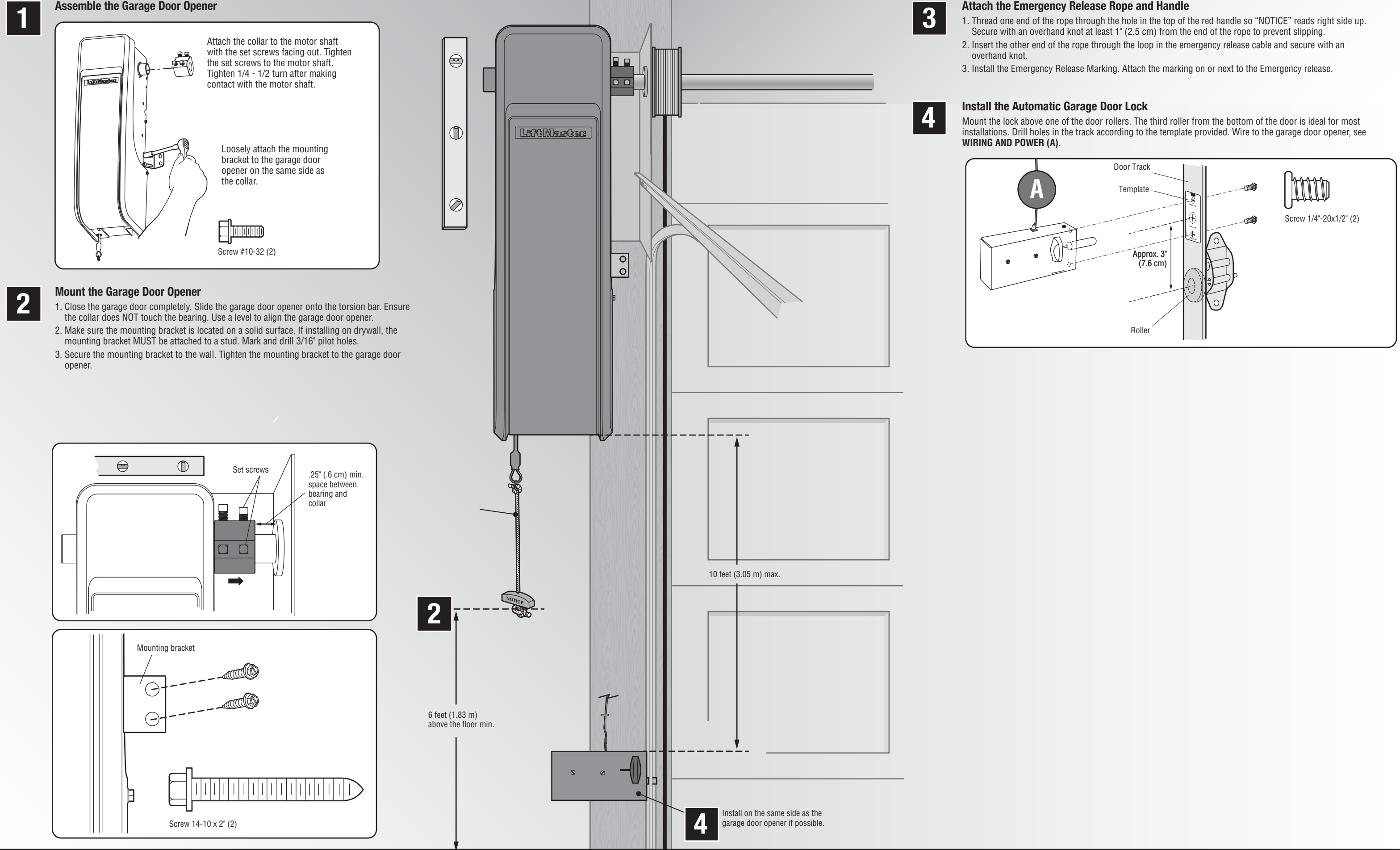


## STEP 3 WIRING AND POWER

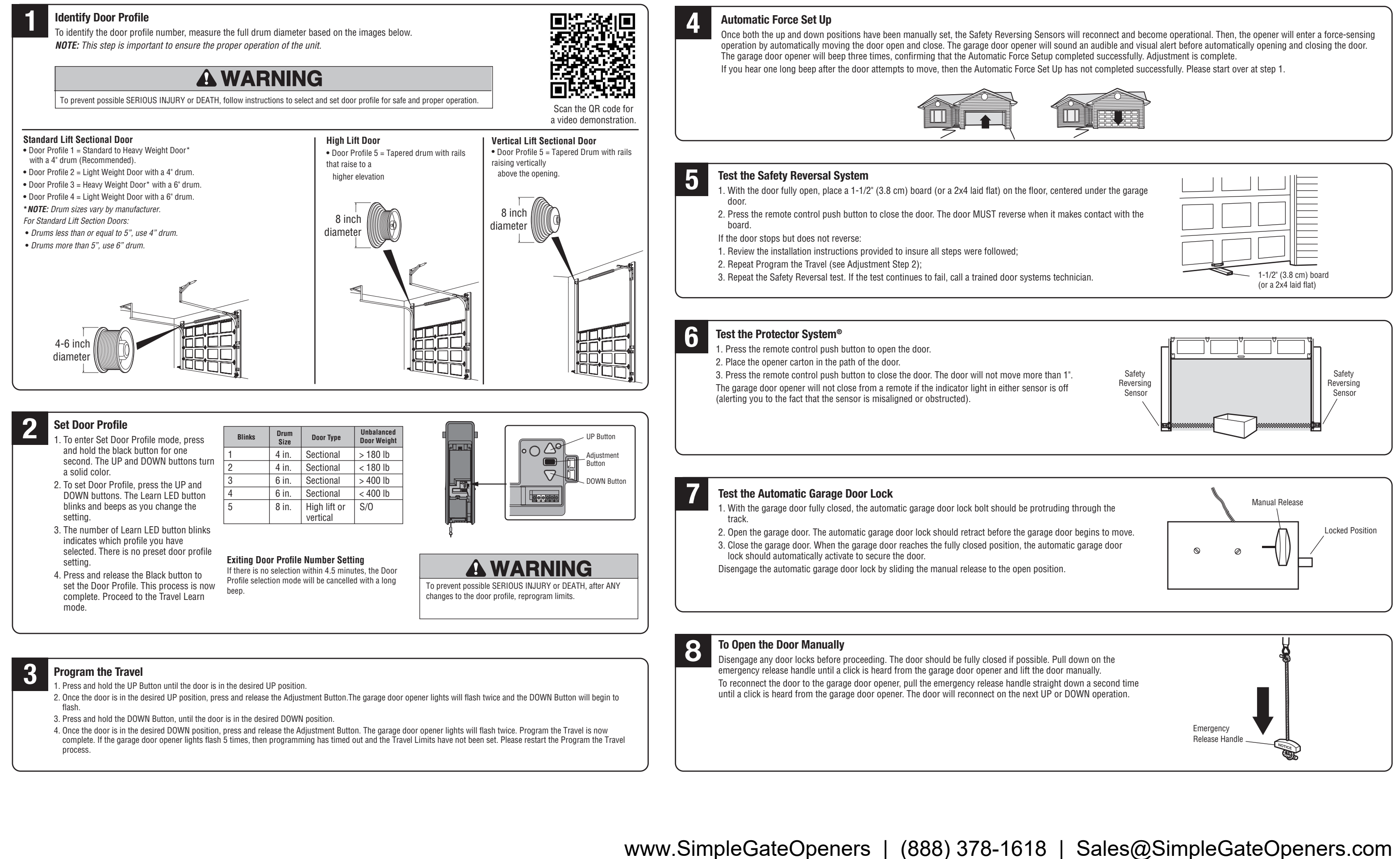


**NOTE:** Be sure the short antenna is not pinched by the battery door and held in place as shown. Do not run the garage door opener at this time.

## STEP 2 INSTALLATION



## STEP 4 ADJUSTMENTS



## STEP 2 INSTALLATION (CONTINUED)

