

SRDRST and SRDRKP

Smart Readers
Section 28 13 00



DATA SHEET

Key Features

Unit Interface Capabilities

Communication Capabilities

Mobile Compatibility

Mobile Credential Range

User Feedback

Specifications

Connectivity

Power Supply Voltage

(Power Supply not included)

Current

Communications

Wiegand Input Data Format

Mounting Options

Operating Temperature

Anti-Tamper Notification

Warranty

Construction

Country of Origin

Material

Regulatory

Model SRDRST - Standard Single Gang: None

Model SRDRKP - Standard Keypad - 10-Key keypad

Mobile BLE; 125 KHz Proximity; 13.56 MHz Smart

Works with myQ Community app for iOS, Android and AppleWatch

Dependent on Mode:

Tap: Tap or bring the phone within 3" of the reader

Touch: Phone must be within 2' of the reader and user must physically touch the reader to engage capacitive resistance function

Alert: Alert will pop up on smart phone within 10' of the Reader - press alert on phone to unlock

Tri-state LED light bar (red, green, amber) and audible beeper

Dependent on Door Controller: CAPXLV2; CAPXM, CAPXS or CAP2D

5-16 V DC

SRDRST - 120 mA average, 170 mA peak

SRDRKP - 145 mA average, 195 mA peak

OSDP Autodetect - communicates with up to 4 Smart Readers with the CAPXLV2 Intercom

OSDP Secure Channel and remote firmware upgradability

26 BIT, 30 BIT, 37 BIT (HID), 37 BIT (Transcore),

32 BIT (MiFare) , 36 BIT Proximity, 56 BIT Smart

Single Gang, Surface Mount

UL[®] tested -35° to 66°C and EN -40° to 70°C and 95% humidity

Accelerometer-based tamper detection

1 year

United States

Reader electronics are conformally coated in a silicone water resistant coating

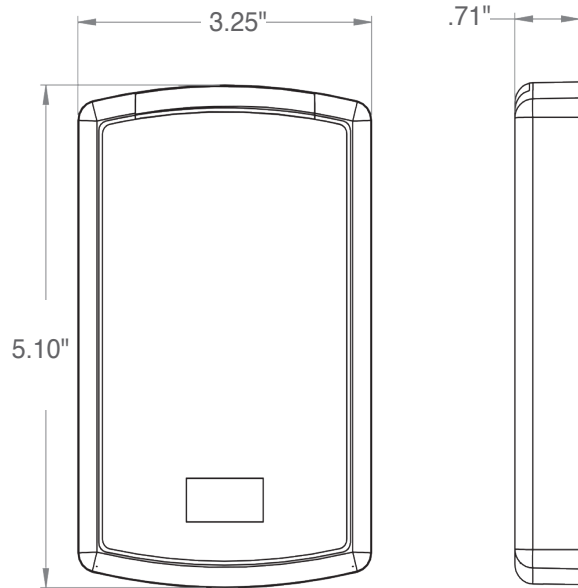
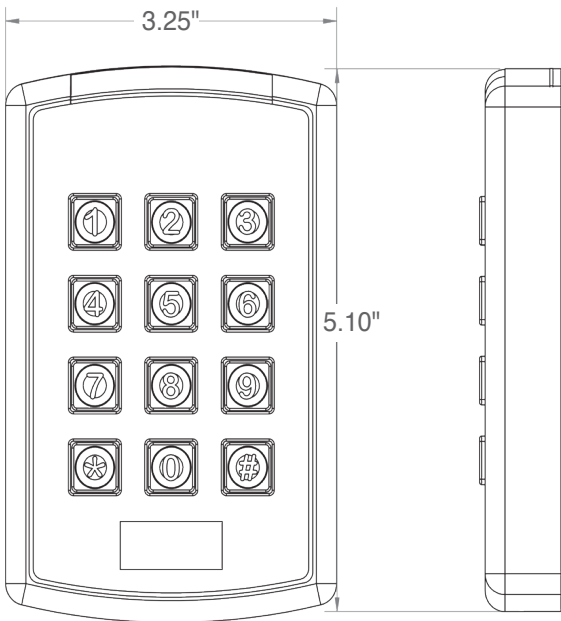
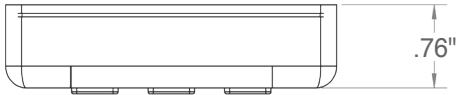
UL294 Compliant

SRDRST and SRDRKP

DATA SHEET

Smart Readers
Section 28 13 00

Dimensions



SRDRKP **SRDRST**

Cable Length Recommendations

Weigand	
Feet	AWG
200	22
300	20
500	18