

# RISER KIT MODEL MRIN

## **WARNING**

To reduce the risk of SEVERE INJURY or DEATH:

- Disconnect electric power to the operator before installing or servicing.
- See operators Installation Manual for complete installation instructions regarding different installation dimensions.
- Read and follow all safety instructions, required safety testing and maintenance instructions.

## **POST AND RISER MOUNT FOR INDUSTRIAL SLIDE GATE OPERATORS (INSL24UL AND IHSL24UL)**



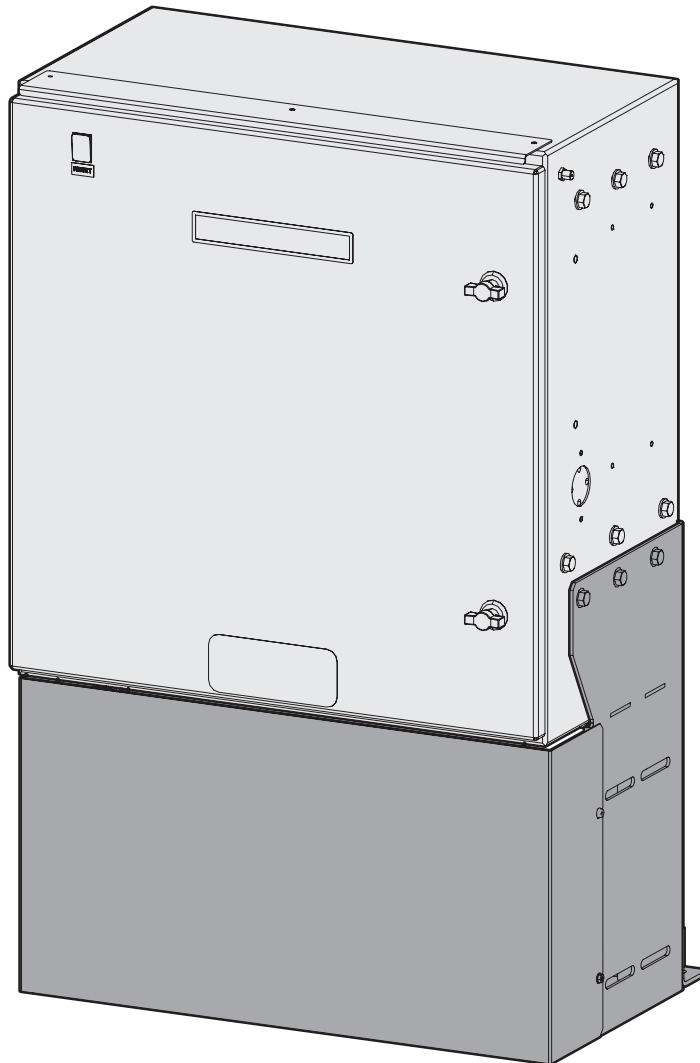
**WARNING:** This product can expose you to chemicals including lead, which are known to the State of California to cause cancer or birth defects or other reproductive harm. For more information go to [www.P65Warnings.ca.gov](http://www.P65Warnings.ca.gov).

**NOTE:** The Riser Stand can be used with the standard Post Mount, as provided in the INSL24UL and IHSL24UL installation manual.

## **CARTON INVENTORY**

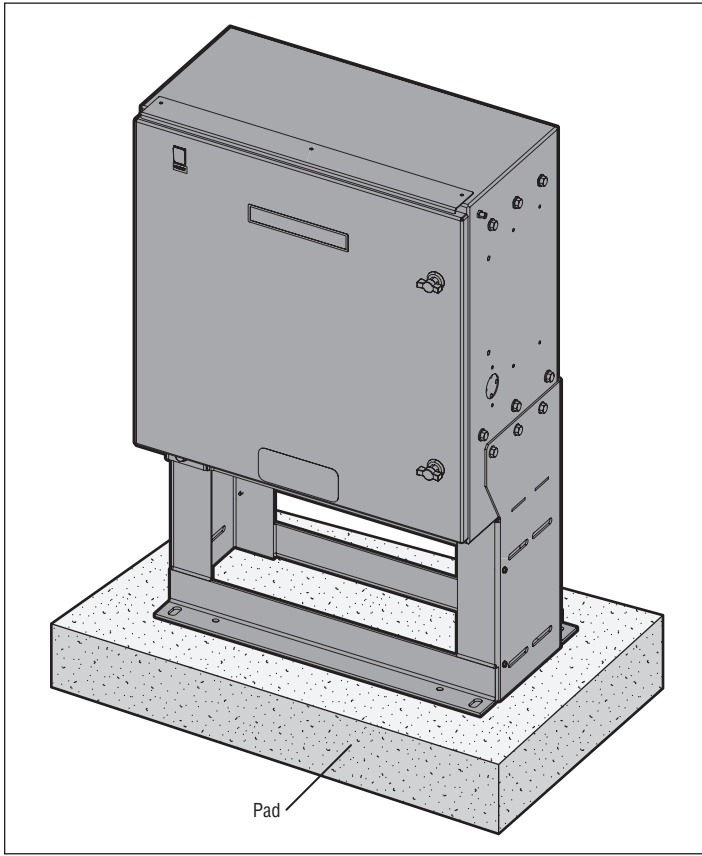
- Mount (riser stand)
- Bracket Mount
- Cover plates
- Spacer Brackets (Post Mount)
- U-Bolts and Hardware (Post Mount)
- 4 Sets of Fasteners

## **OPERATOR ON THE RISER STAND**

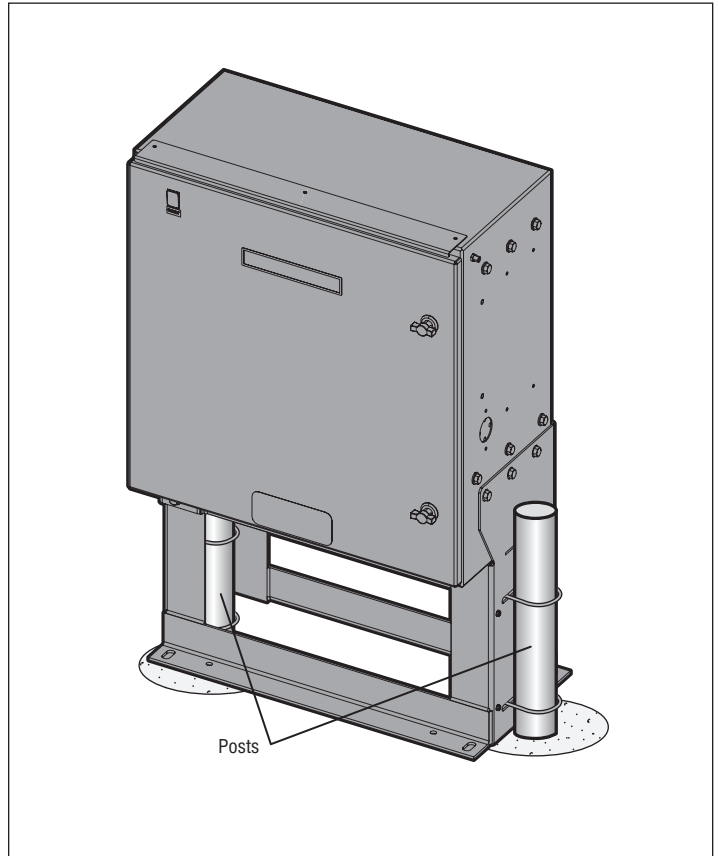


# TYPES OF INSTALLATION FOR THE MRIN

## PAD MOUNT INSTALLATION



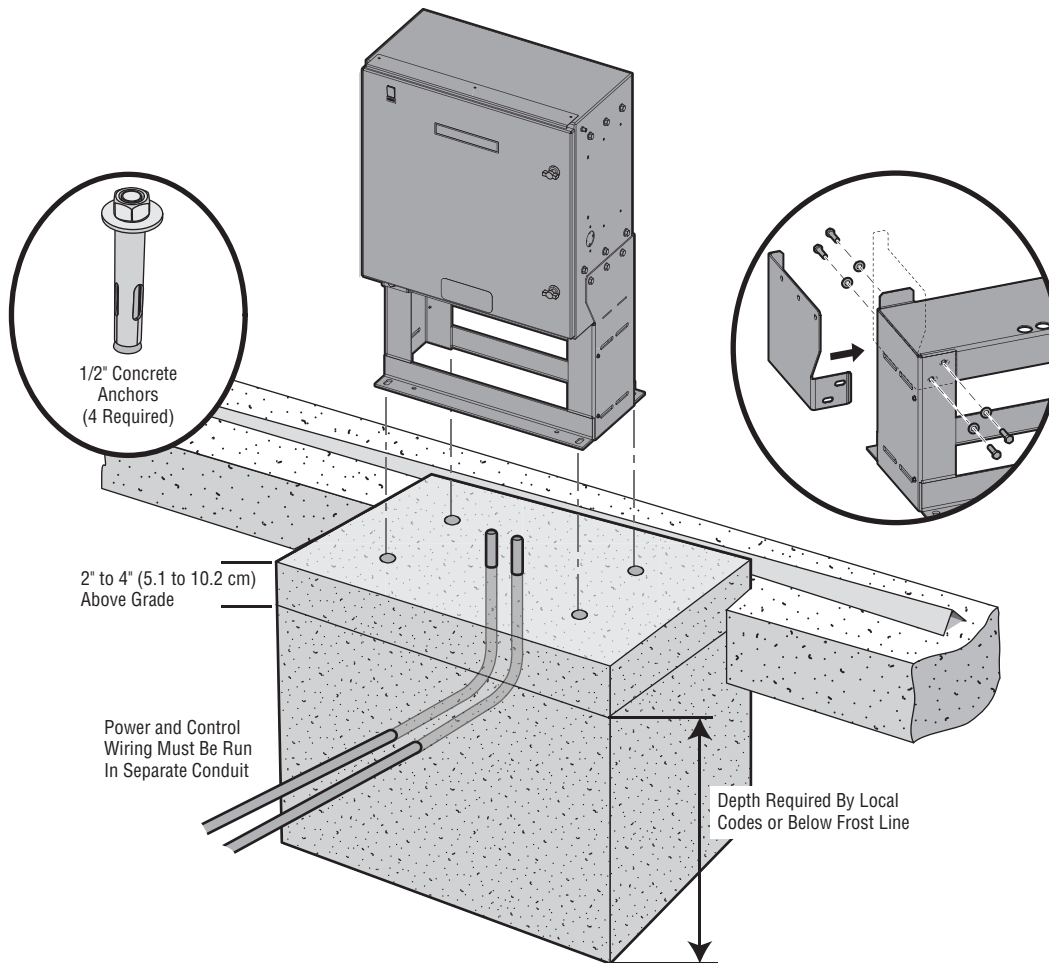
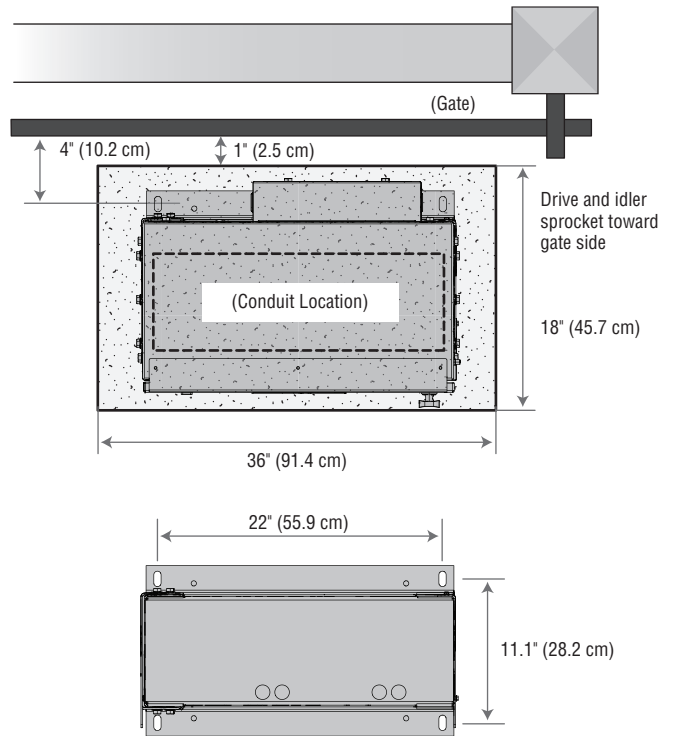
## POST MOUNT INSTALLATION FOR SL580/585 RETROFIT



## Pad Mount (Option 1) Installation

1. Lay out concrete pad.
2. Install the electrical conduit.
3. Confirm that all power is disconnected from the operator.
4. Pour a concrete pad (reinforced concrete is recommended).
5. Place Riser Stand on concrete pad in the appropriate position.
6. Secure Riser Stand to the concrete pad using four 1/2" concrete anchors (not provided).
7. Tighten riser stand to the pad, place the operator on top of the riser stand.
8. Install the Mounting Bracket with supplied fasteners. Tighten to 30 lbs-ft. Check tightness of all mounting fasteners at least once every 6 months. Tighten to recommended torque as needed.
9. Once all attachments are complete, use cover plates to enclose the riser stand.

### LAYOUT OF PAD



## Post Mount (Option 2) Installation

The operators come from the factory configured to mount to an inside the frame post mount dimension of 26" (66 cm) (outside to outside of posts). The frame comes slotted to accommodate posts 24-1/8" (61 cm) to 26" (66 cm), outside to outside.

**NOTE:** If you are replacing a SL580, the frame will require use of supplied spacer bracket to accommodate 24 1/8" post spacing.

1. Locate and anchor two posts made of 3" (7.6cm) outer diameter heavy walled pipe. Post should be parallel and square to the gate.
2. Install the electrical conduit prior to pouring concrete.
3. Confirm that all power is disconnected from the operator.
4. Place Riser Stand in location of posts.
5. Secure Riser Stand to the posts using the supplied fasteners and U-Bolts. Note that one set of the posts will mount on the inside of the Riser Stand and the second set of posts will mount outside of the Riser Stand outer plate.
6. Tighten riser stand to the posts, place the operator on top of the riser stand.
7. Install the Mounting Bracket with supplied fasteners. Tighten to 30 lbs-ft. Check tightness of all mounting fasteners at least once every 6 months. Tighten to recommended torque as needed.
8. Once all attachments are complete, use cover plates to enclose the riser stand.

### LAYOUT OF POSTS (SL585, SL580 RETROFIT DESIGN)

