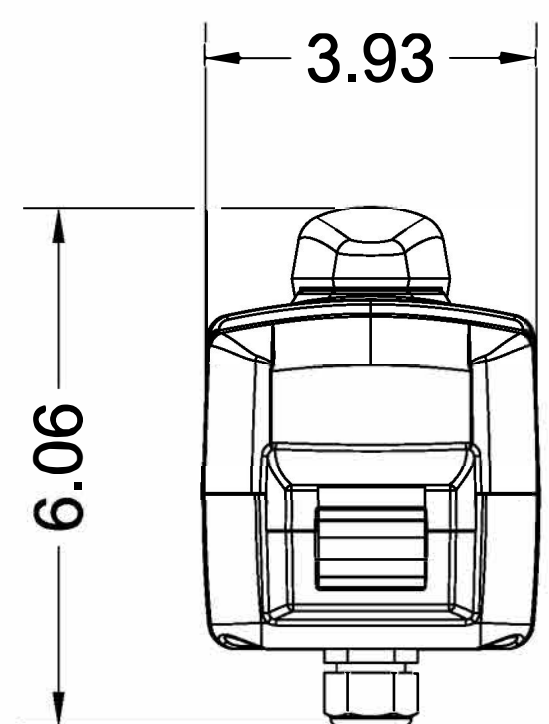
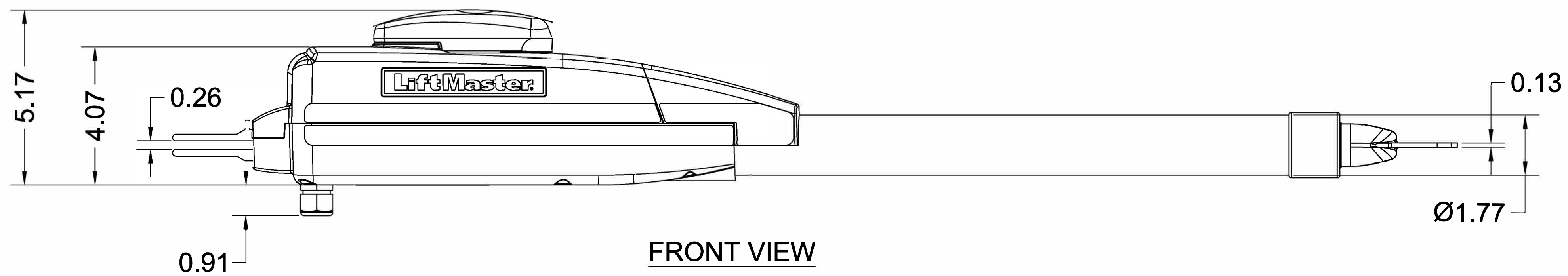


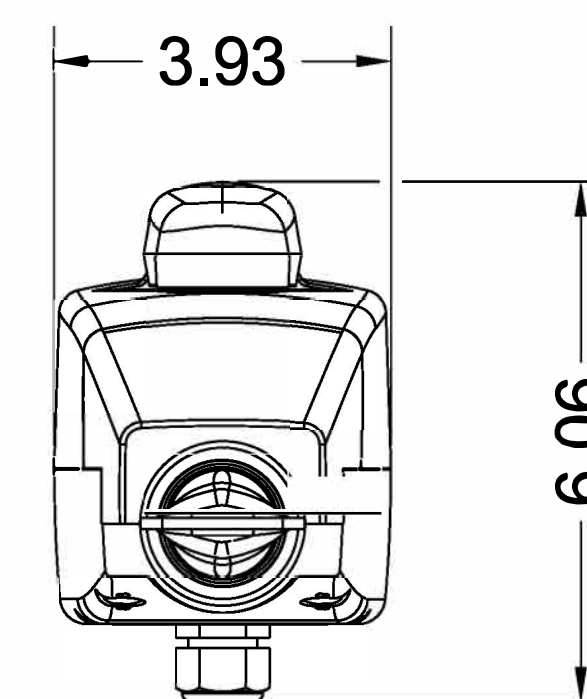
TOP VIEW



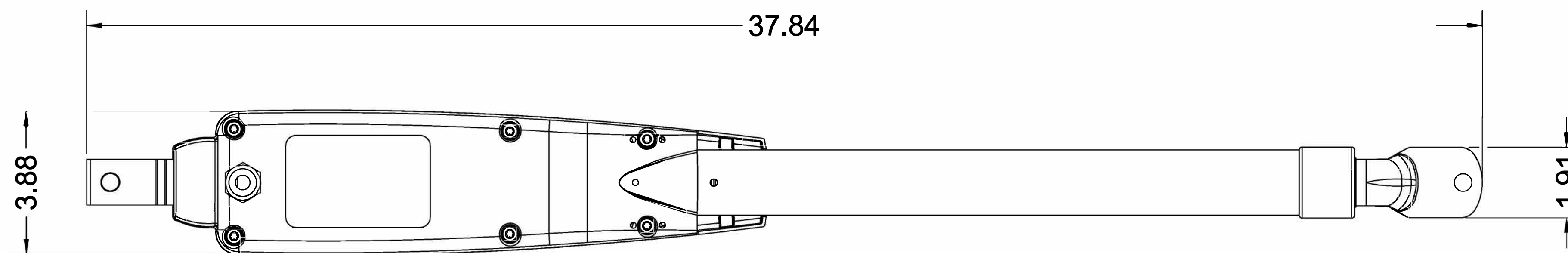
LEFT VIEW



FRONT VIEW



RIGHT VIEW



BOTTOM VIEW

(LA400U) 12VDC RESIDENTIAL
LINEAR ACTUATOR

LiftMaster®		1/1
LIFTMASTER (CHAMBERLAIN GROUP, INC.) ENGINEERED SERVICES		
DRW. BY: B. MOFFETT	REVISION:	
DATE: 07/12/2019	SCALE: NTS	
TITLE: LA400U LINEAR ACTUATOR		SHEET NO:
CAD FILE: -		