

# AUXILIARY LIMIT SWITCH MINI SWITCHES AND WIRE LEADS

## CARTON INVENTORY

DESCRIPTION	K90-9210M1	K90-9210M2
Limit Switch	1	2
Pan Head Phillips Screw #4-40 x 3/4"	2	4
Internal Tooth Lockwasher	2	4
Limit Switch Backup Plate	1	2
Limit Switch Nut Plate	1	2
Limit Switch Mounting Bracket "H"	1	1
Limit Switch Mounting Bracket "T"	1	1
Pan Head Phillips Screw #8-32 x 1/4"	3	3
White Wire used with "OPEN" Limit Switch 16 Gauge, 24"	3	3
Blue Wire used with "CLOSE" Limit Switch 16 Gauge, 24"		3

## APPLICATION

This wiring modification is available for models T, GT, APT, J, H, GH, SD and GSD standard door operators with 24V control circuits (M) and logic control board (L).

**NOTE:** Not available with Hazardous Area or Variable Speed Modifications.

## FUNCTIONS

Each limit switch, or pole, provides a means to control auxiliary lights, heaters or other equipment. The limit switch can be used to turn on or off such equipment when the door is fully opened or fully closed.

## COMPONENT MOUNTING

1. Locate the new auxiliary limit switch bracket assembly with the limit switches attached.
2. Fasten the limit switch bracket down to the box using the two #8-32 x 1/4" long self tapping pan head phillips screws provided (Figure 3).
3. If the bracket interferes with the screws from the open and close limit switch, install the backup plates provided, between the electrical box and the head of the screw (Models T, GT and GH only).
3. Connect the ends of the wire leads to desired field wiring with wire nuts to complete installation (Figures 1 and 2).

**NOTE:** Auxiliary limit brack assemblies with one switch are shipped set up for auxiliary closed. If auxiliary open is required, remove auxiliary switch and flip over.

## WARNING

To prevent possible SERIOUS INJURY or DEATH from electrocution, disconnect electric power to operator BEFORE installing.  
ALL electrical connections MUST be made by a qualified individual.

FIGURE 1

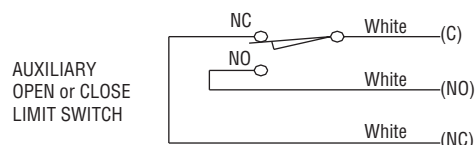


FIGURE 2

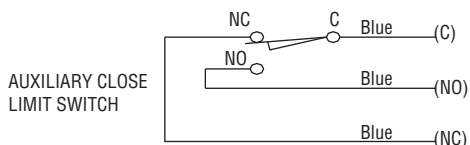
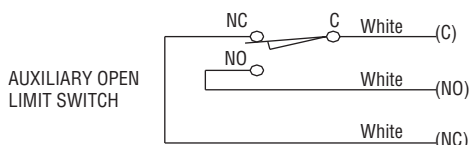
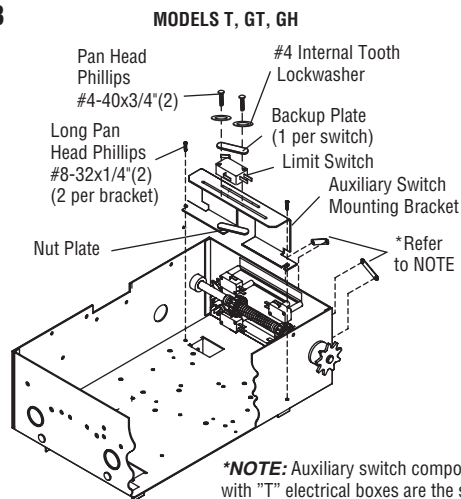


FIGURE 3



**\*NOTE:** Auxiliary switch components used with "T" electrical boxes are the same as "H" electrical boxes unless otherwise noted.

## MODELS H AND J

