

HEATER KIT

MODEL HTR



WARNING: This product can expose you to chemicals including lead, which are known to the State of California to cause cancer or birth defects or other reproductive harm. For more information go to www.P65Warnings.ca.gov.

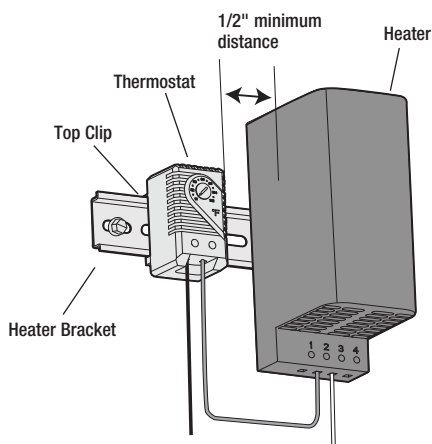
APPLICATION

The heater keeps the gearbox and batteries at a suitable temperature when the outside temperature is below -4°F. The thermostat **MUST** be set between 45°F and 60°F to ensure proper gate operation. The heater can be powered by 110 to 250 VAC.

INSTALLATION

(MODEL HDSW24UL, HDSL24UL IHSL24UL, INSL24UL)

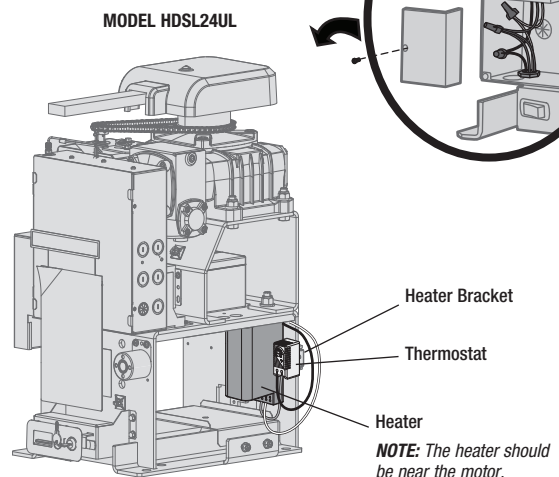
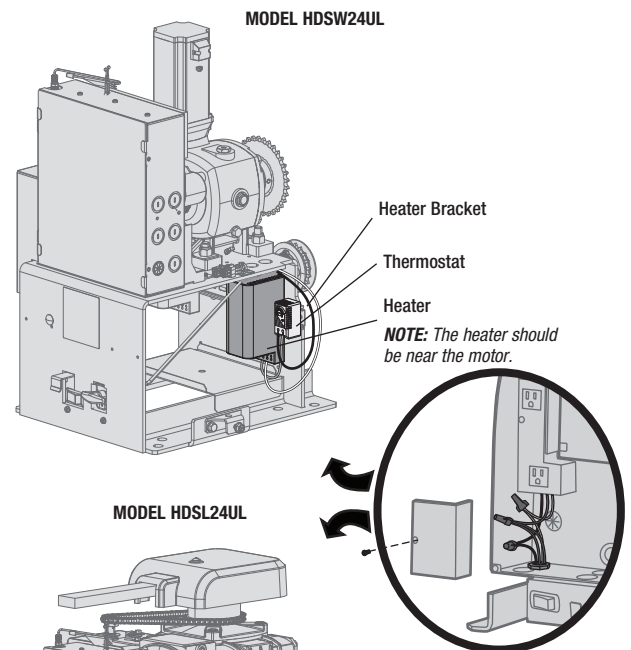
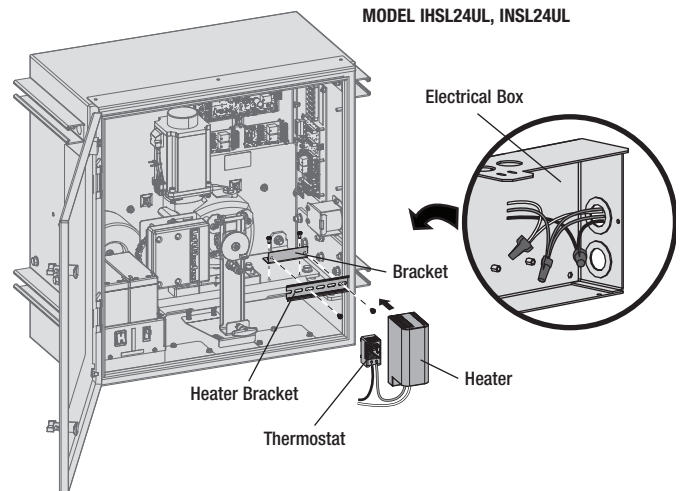
1. Fasten the heater bracket to the operator with the provided hardware.
NOTE: The location for the heater will vary. Refer to the illustration to find the location of the heater on the operator
NOTE: INSL4UL/IHSL24UL require additional bracket, refer to illustration.
2. Attach the heater and thermostat to the heater bracket by sliding the top clips onto the bracket, then push down until the bottom clips snap onto the bracket.
3. Route the heater wires to the power wires on the operator, securing the wires with the provided wire clips:
Model HDSL and HDSW: Choose the appropriate-sized knockout on the junction box and install the watertight connector. Insert the heater wires through the watertight connector.
Model INSL24UL and IHSL24UL: Choose the appropriate-sized knockout on the junction box and install the connector. Insert the heater wires through the connector.
4. Connect the heater wires to the power wires of the operator with the provided wire nuts.
NOTE - HDSL24UL/HDSW24UL and INSL24UL/IHSL24UL models have wires marked "HEATER", connect to these wires.
5. HD models only – slide the battery bracket back into place and secure.
6. Set the thermostat dial between 45°F and 60°F.
7. Reconnect power to the operator.



⚡ ⚠ WARNING

To prevent **SERIOUS INJURY** or **DEATH**:

- Disconnect electric power to operator **BEFORE** installing or servicing.
- The heater gets extremely hot during operation. **DO NOT** touch the heater while it is in operation. Allow 15 minutes for the heater to cool before servicing the operator.



INSTALLATION

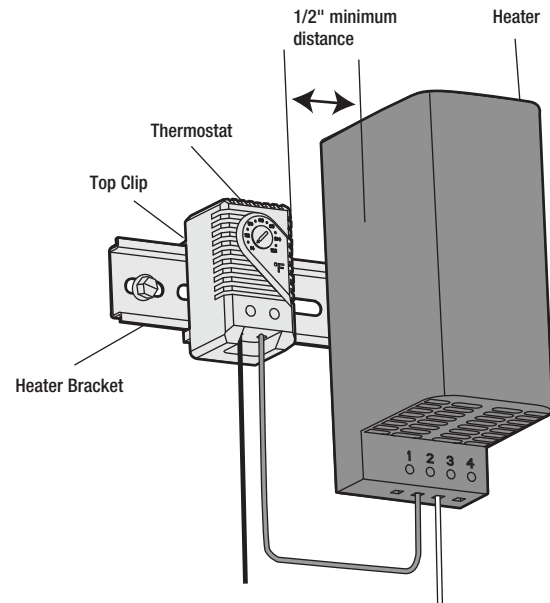
(MODEL SERIES CSW24 AND RSW12)

1. Disconnect all electric and battery power to the operator.
2. Fasten the heater bracket to the operator with the provided hardware.
NOTE: The location for the heater will vary. Refer to the illustration to find the location of the heater on your operator.
3. Attach the heater and thermostat to the heater bracket by sliding the top clips onto the bracket, then push down until the bottom clips snap onto the bracket.
4. Route the heater wires to the power wires on the operator, securing the wires with the provided wire clips:
Model CSW24: Choose an appropriate sized knockout on the junction box and install the watertight connector. Insert the heater wires through the watertight connector and into the junction box.
Model RSW12: Run the heater wires through the cable bushing in the lower left side of the electrical box.
5. Connect the heater wires to the power wires of the operator with the provided wire nuts (black to black and white to white).
6. Set the thermostat dial between 45°F and 60°F.
7. Reconnect power to the operator.

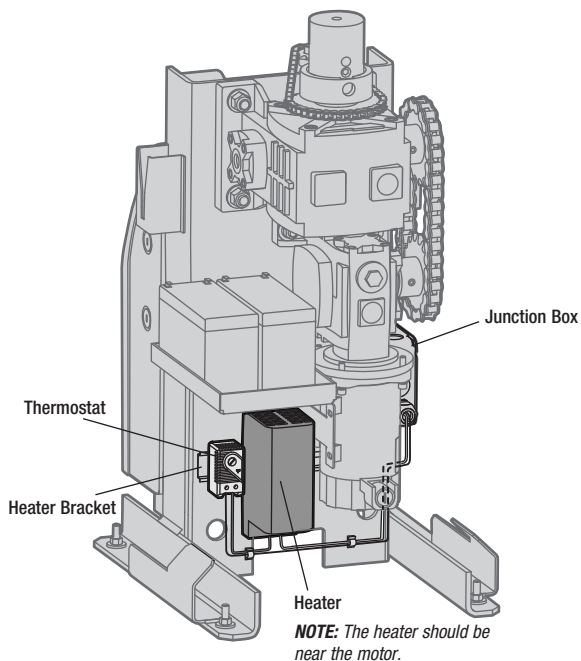
⚠️ WARNING

To prevent **SERIOUS INJURY** or **DEATH**:

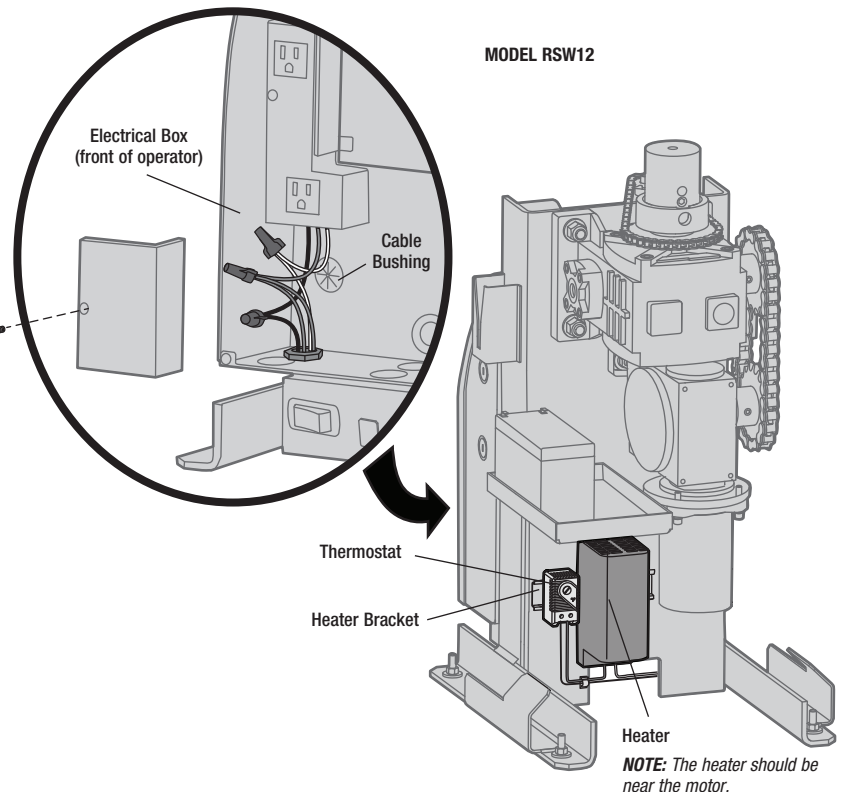
- Disconnect electric power to operator **BEFORE** installing or servicing.
- The heater gets extremely hot during operation. **DO NOT** touch the heater while it is in operation. Allow 15 minutes for the heater to cool before servicing the operator.



MODEL CSW24



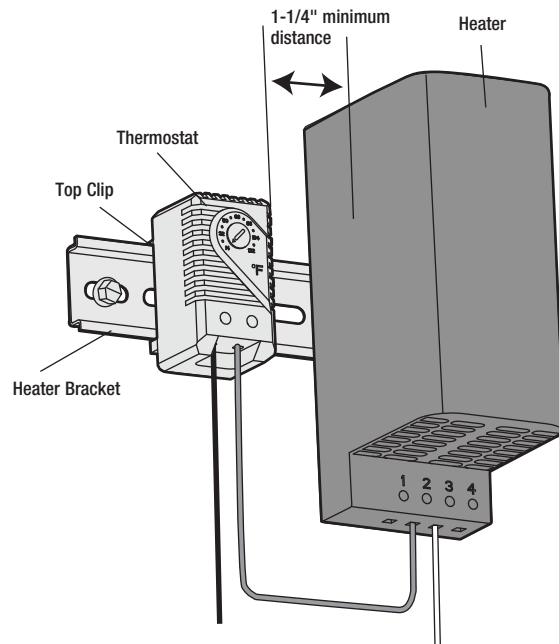
MODEL RSW12



INSTALLATION

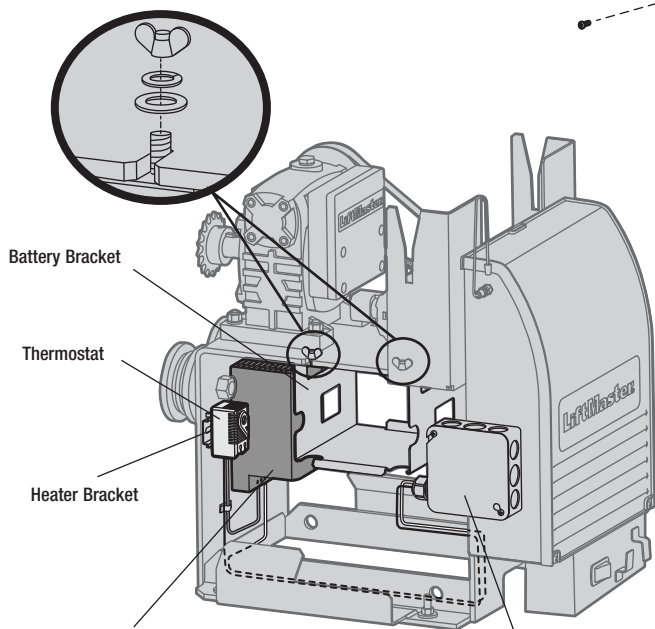
(MODEL SERIES CSL24 AND RSL12)

1. Disconnect all electric and battery power to the operator.
2. Fasten the heater bracket to the operator with the provided hardware.
NOTE: The location for the heater will vary. Refer to the illustration to find the location of the heater on your operator.
3. Attach the heater and thermostat to the heater bracket by sliding the top clips onto the bracket, then push down until the bottom clips snap onto the bracket.
4. Route the heater wires to the power wires on the operator, securing the wires with the provided wire clips:
Model CSL24: Choose an appropriate sized knockout on the junction box and install the watertight connector. Insert the heater wires through the watertight connector and into the junction box.
Model RSL12: Run the heater wires through the cable bushing in the lower left side of the electrical box.
5. Connect the heater wires to the power wires of the operator with the provided wire nuts (black to black and white to white).
6. Slide the battery bracket tabs into the slots on the operator's chassis, then secure the front of the bracket with the provided wing nuts, lock washers, and washers. **NOTE:** Make sure the battery terminals DO NOT make contact with the operator chassis as this will short the control board.
7. Set the thermostat dial between 45°F and 60°F.
8. Reconnect power to the operator.

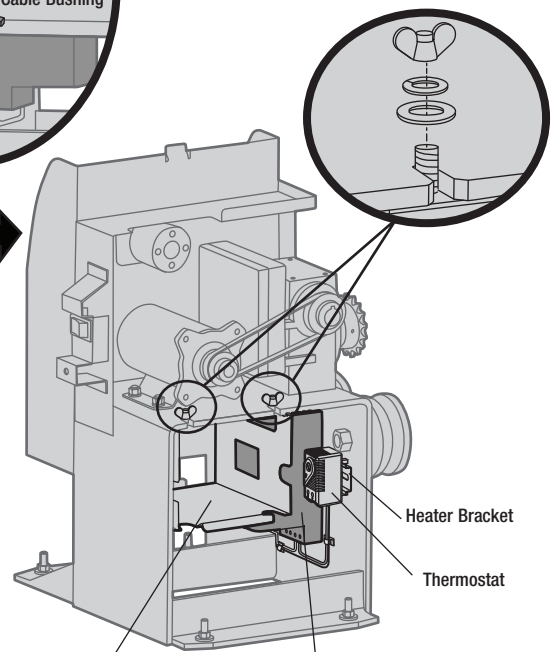
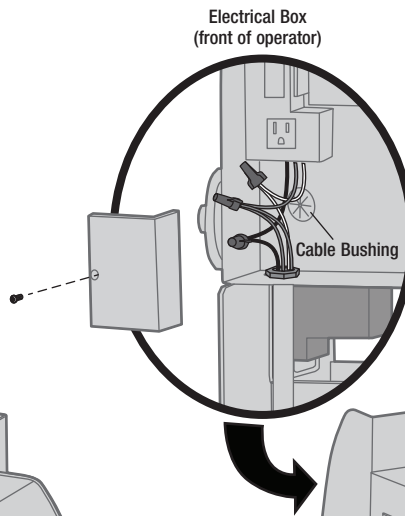


MODEL CSL24

MODEL RSL12



NOTE: The heater should be centered directly under the gearbox.



NOTE: The heater should be centered directly under the gearbox.