

HDSL24UL HEAVY-DUTY VARIABLE SPEED SLIDE GATE OPERATOR

SECTION 32 31 00



KEY FEATURES

BATTERY BACKUP	Yes
REMOTE CONTROL ACCESS	Security+ 2.0® 3-channel receiver will handle up to 50 remote controls (unlimited remotes with 811LMX/813LMX)
INTERNET CONNECTIVITY	myQ® connection and myQ capability for secure monitoring and control of gate operator from anywhere*
MONITORED SAFETY INPUTS	6 inputs (main and expansion board)
SOLAR-POWER CAPABILITIES	Yes
DIAGNOSTIC DISPLAY	LED diagnostic display
WIRELESS DUAL-GATE COMMUNICATION	Eliminates expensive conduit costs and unsightly driveway scars
DUAL-GATE CONTROL	Bi-part delay or synchronized close
FIRE DEPARTMENT COMPLIANT	Allows gate to auto open upon loss of AC power or battery depletion: includes manual release
LIMIT SETTING	Electronic
PROGRAMMABLE AUXILIARY RELAYS	4 programmable auxiliary relays accommodate more accessories such as warning lights/alarms
UNAUTHORIZED ACCESS PREVENTION	Can be programmed with anti-tailgate or quick close capabilities
HOMELINK® COMPATIBLE	Version 4 or higher

SPECIFICATIONS

OPERATOR SPEED	.5 ft./sec. to 1 ft./sec.
POWER	120/240VAC single phase
ACCESSORY POWER	24VDC 1 A max. output; switched and unswitched power
OPERATOR WEIGHT	172 lbs.
WARRANTY	5 years commercial, 7 years residential
TEMPERATURE SPECIFICATIONS	Without heater: -4°F (-20°C) to 140°F (60°C); with optional heater: -40°F (-40°C) to 140°F (60°C)
UL USAGE CLASSIFICATION	Class I, II, III and IV

CONSTRUCTION

MOTOR	24VDC brushless motor with soft start/stop
OPERATOR DUTY RATING	Continuous-duty
CHASSIS/FRAME	Constructed with 1/4 in. black powder coated steel for rust prevention
GEAR REDUCTION	Direct drive 40:1 gear ratio
COVER	High-density, UV-resistant polyethylene 1-piece cover for excellent heat and corrosion resistance
RECOMMENDED CAPACITIES	Rated for gates up to 75 ft. in length and weighing up to 3,000 lbs.

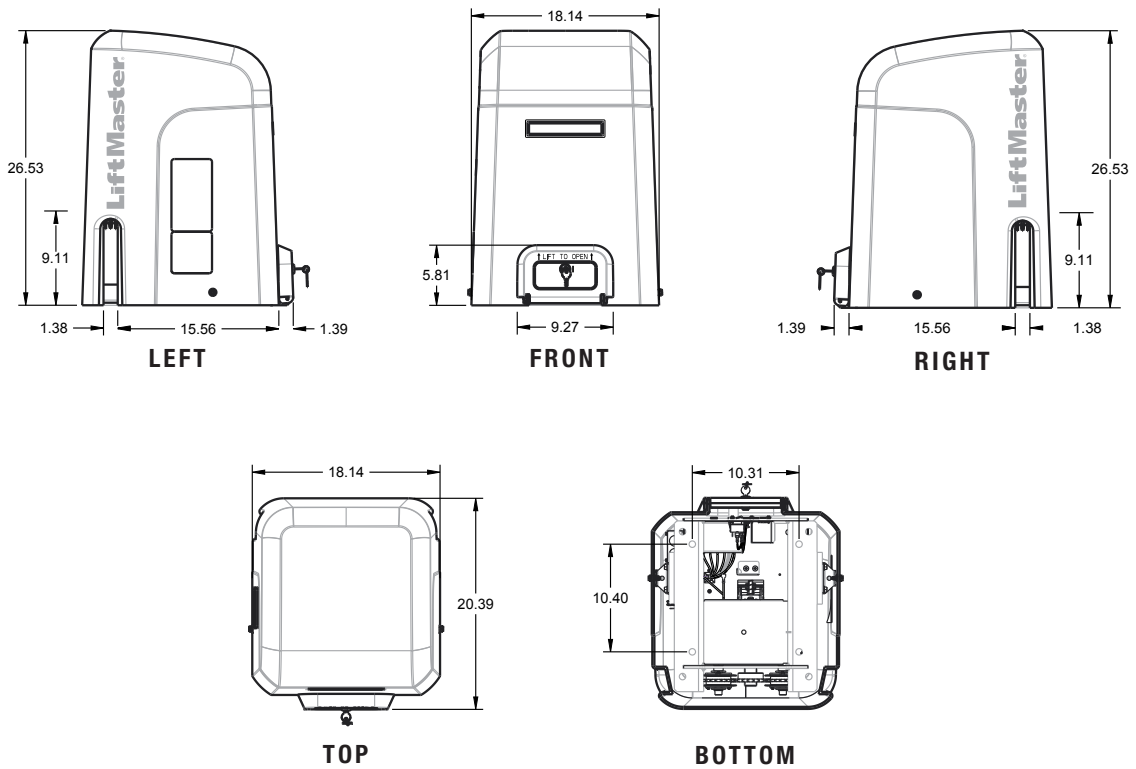
*When linked with myQ. Cellular data or Wi-Fi® connection required.

DATA SHEET
SLIDE GATE OPERATOR

HDSL24UL HEAVY-DUTY VARIABLE SPEED SLIDE GATE OPERATOR

SECTION 32 31 00

DIMENSIONS



CAPACITY

