

# Swing Gate Operator Long Arm Kit Model HDLGARM

## ⚠ WARNING

To reduce the risk of SEVERE INJURY or DEATH:

- Disconnect power (AC solar and battery) before servicing or installing operator.
- Turn both the AC and battery switches to off position.
- Set the reset switch to the disconnect position.



**WARNING:** This product can expose you to chemicals including lead, which are known to the State of California to cause cancer or birth defects or other reproductive harm. For more information go to [www.P65Warnings.ca.gov](http://www.P65Warnings.ca.gov)

### ATTENTION:

A SOLID BRACKET IS ATTACHED TO SHORT ARM LINK ON PACKAGING FOR SHIPPING PURPOSES ONLY. PLEASE FOLLOW THE INSTRUCTIONS FOR ARM ASSEMBLY.

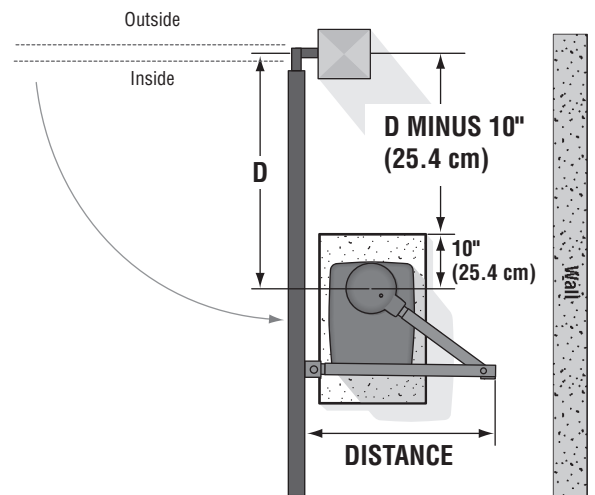
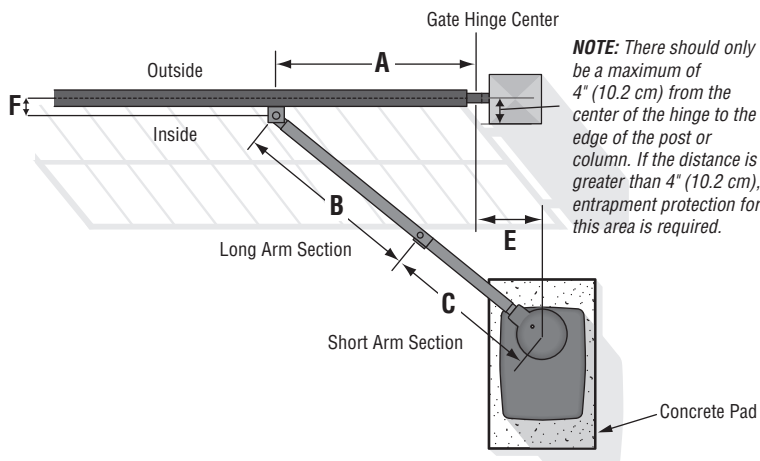
## Introduction

The long arm kit is for use with LiftMaster® gate operator model HDSW24UL. To optimize performance and extend operator life, the long arm kit is recommended when installing with gates 16 ft. or longer.

*See installation manual for gate operator model HDSW24UL for complete installation and safety instructions.*

## Determine Location for Concrete Pad and Operator

Refer to the illustration to determine the measurements and location of the concrete pad.



Dimension (A) thru (E) are from the center of one pivot point to the center of another pivot point.

**Suggestion:** The dimensions between the gate and the concrete pad is always 10 inches (25.4 cm) less than the dimension D.

**Example:** D = 42" (106.7 cm), if the dimensions between the gate and the concrete pad is 32" (81.3 cm).

### Chart LA

Requires less clearance between gate and wall.

GATE LENGTH	A	B	C	D	E	F	DISTANCE
22 ft. 2,500 lbs. max.	88" (2.24 m)	62.5" (1.58 m)	57.5" (1.46 m)	71" (1.80 m)	11" (27.9 cm)	3" (7.6 cm)	70" (1.78 m)
20 ft. 2,750 lbs. max.	80" (2.03 m)	58.25" (1.48 m)	52.25" (1.33 m)	65.5" (1.66 m)	11" (27.9 cm)	3" (7.6 cm)	65.75" (1.67 m)
18 ft. 3,250 lbs. max.	72" (1.83 m)	53" (1.35 m)	47" (1.19 m)	58.5" (1.49 m)	11" (27.9 cm)	3" (7.6 cm)	60.5" (1.54 m)
16 ft. 3,750 lbs. max.	64" (1.63 m)	48.25" (1.23 m)	41.75" (1.06 m)	52.5" (1.33 m)	11" (27.9 cm)	3" (7.6 cm)	55.75" (1.42 m)
14 ft. 4,500 lbs. max.	56" (1.42 m)	44.75" (1.14 m)	37.25" (.95 m)	50" (1.27 m)	11" (27.9 cm)	3" (7.6 cm)	52.25" (1.33 m)

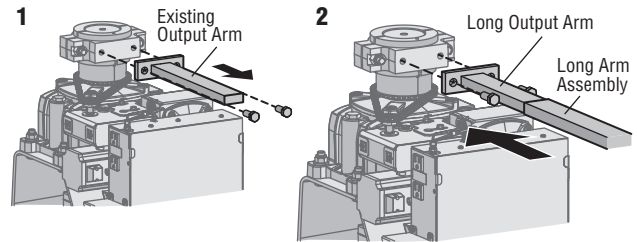
## Chart LB - Requires More Clearance Between Gate and Wall

Requires more clearance between gate and wall. Recommended on retrofit installations when operator being replaced is other than LiftMaster®.

GATE LENGTH	A	B	C	D	E	F	DISTANCE
22 ft. 2,500 lbs. max.	88" (2.24 m)	66.25" (1.68 m)	57.25" (1.45 m)	71" (1.80 m)	15" (38.1 cm)	3" (7.6 cm)	73.75" (1.87 m)
20 ft. 2,750 lbs. max.	80" (2.03 m)	61.75" (1.57 m)	52" (1.32 m)	65.5" (1.66 m)	15" (38.1 cm)	3" (7.6 cm)	59.25" (1.51 m)
18 ft. 3,250 lbs. max.	72" (1.83 m)	56.5" (1.44 m)	46.75" (1.19 m)	58.5" (1.49 m)	15" (38.1 cm)	3" (7.6 cm)	64" (1.63 m)
16 ft. 3,750 lbs. max.	64" (1.63 m)	51.75" (1.31 m)	41.5" (1.05 m)	52.5" (1.33 m)	15" (38.1 cm)	3" (7.6 cm)	59.25" (1.51 m)
14 ft. 4,500 lbs. max.	56" (1.42 m)	48.25" (1.23 m)	37" (.94 m)	50" (1.27 m)	15" (38.1 cm)	3" (7.6 cm)	55.75" (1.42 m)

## Install the Long Arm

1. Remove the existing output arm from the operator.
2. Attach the long arm to the operator using the long output arm included in the kit.



## Secure the Operator Arm

The length of the arm can be adjusted if necessary. If adjusting the length, ensure that both sections of the arm are adjusted proportionally. Use a clamp to temporarily hold the arm in place while determining the correct measurements.

1. Weld the gate bracket to the gate.
2. Weld the short arm section. Plug/slot weld top and bottom.
3. Weld the long arm section. Plug/slot weld top and bottom.  
**NOTE:** Completely weld around the outer tubing and bracket.
4. Adjust the nuts on the operator arm so the operator arm fits snug on the output shaft yet still allows enough room to swivel (the handle must be in a 90° position).
5. Tighten the handle by pushing it down. Test to make sure the operator arm does not slip on the output shaft.

