

HCTDCUL OVERHEAD OPERATOR

SECTION 32 31 00



KEY FEATURES

BATTERY BACKUP	Yes
REMOTE CONTROL ACCESS	Security+ 2.0® 3-channel receiver will handle up to 50 remote controls (unlimited remotes with 811LMX/813LMX)
INTERNET CONNECTIVITY	myQ® technology monitors and controls the operator through the myQ app
MONITORED SAFETY INPUTS	6 inputs (main and expansion board)
SOLAR-POWER CAPABILITIES	Yes
DIAGNOSTIC DISPLAY	LED diagnostic display
POSILOCK®	Automatically powers the operator and returns a gate or door to the closed position when gate is pushed off of closed limit
FIRE DEPARTMENT COMPLIANT	Allows gate to auto open upon loss of AC power or battery depletion
LIMIT SETTING	Electronic
PROGRAMMABLE AUXILIARY RELAYS	Easily add additional features, such as warning lights/alarms
UNAUTHORIZED ACCESS PREVENTION	Can be programmed with anti-tailgate or quick close capabilities
HOMELINK® COMPATIBLE	Version 4 and higher

SPECIFICATIONS

OPERATOR SPEED	Selectable speed; fast open is 11 in. per second; normal speed is 8 in. per second
POWER	120V/230VAC single phase
ACCESSORY POWER	24VDC, 500mA output
OPERATOR WEIGHT	8 ft. = 150 lbs.; 10 ft. = 154 lbs.; 12 ft. = 158 lbs.
WARRANTY	5 years
TEMPERATURE SPECIFICATIONS	-4°F (-20°C) to 140°F (60°C)
UL USAGE CLASSIFICATION	UL 325 & UL 991 listed – class I, II, III and IV

CONSTRUCTION

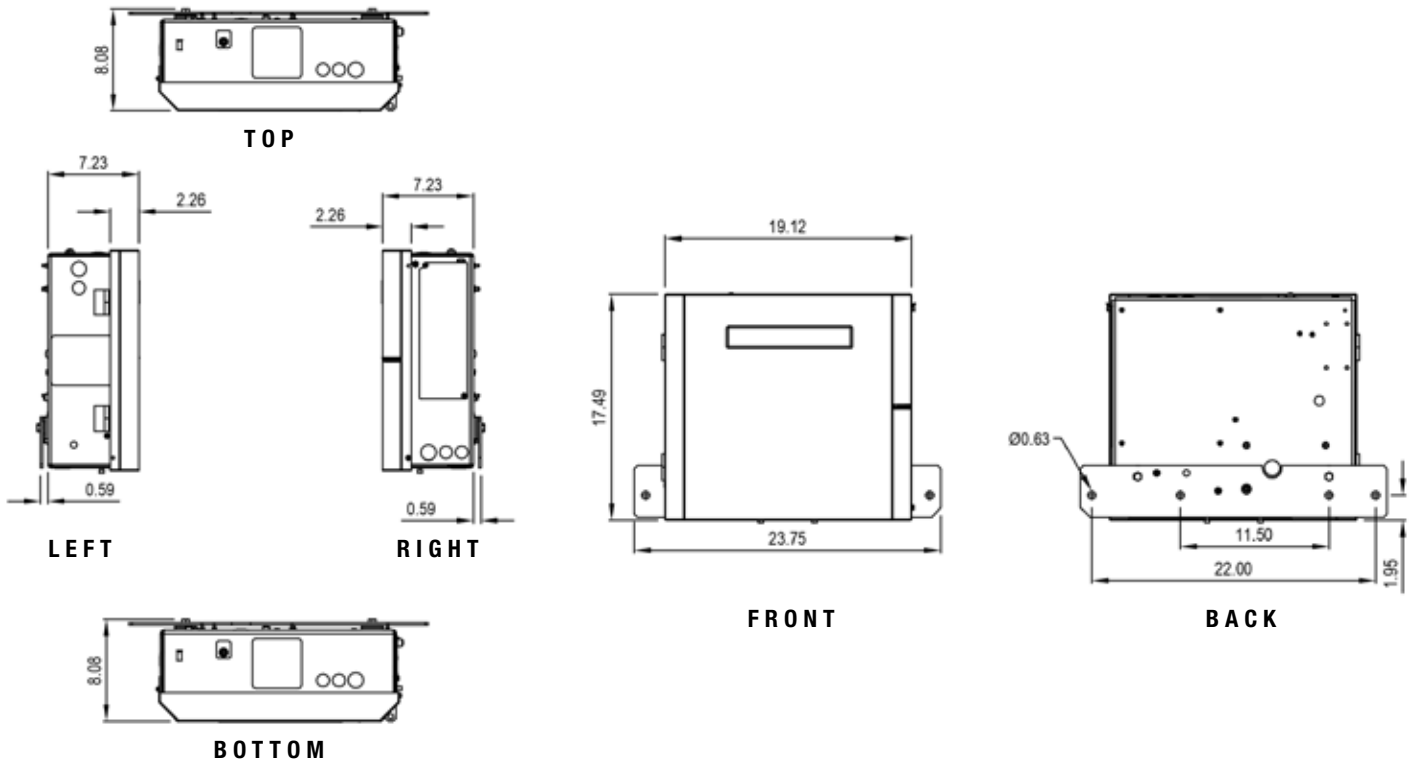
MOTOR	24VDC motor with soft start / stop
OPERATOR DUTY RATING	Continuous duty
CHASSIS/FRAME	Constructed with 1/4 in. black powder-coated steel for rust prevention
GEAR REDUCTION	28:1 worm gear reducer in synthetic oil bath
TROLLEY ASSEMBLY	Heavy-duty 12-gauge steel track with 6 UHMW rollers
RECOMMENDED CAPACITIES	Rated for overhead doors or gates with up to 12 ft. rail or weighing up to 700 lbs.

DATA SHEET
OVERHEAD OPERATOR

HCTDCUL OVERHEAD OPERATOR

SECTION 32 31 00

DIMENSIONS



CAPACITY

RECOMMENDED CAPACITY

POUNDS

