

# SELF-REGULATING HEATER KITS

MODELS 71-6532448 & 71-6532449  
6532448 & 6532449 (FACTORY INSTALLED)  
FOR USE WITH SL575, SL585 & SL595

## PARTS LIST

Unpack kit to verify the parts listed below are included.

CARTON INVENTORY	
DESCRIPTION	QTY
Instructions	1
Transformer 100VA with 3.2A fuse (6532448 and 71-6532448 only)	1
Heater	1
Hardware bag	1
Line cord	4

## SL575 AND SL585 SELF-REGULATING HEATER KITS

The heater kits are thermostatically controlled heaters that should be installed in areas where the temperature drops below freezing. To install:

1. Disconnect power to operator.
2. Locate two mounting holes in accessory tray on opposite side of the drive chain (Figure 1).
3. Mount heater bracket to accessory tray.
4. Attach heater to bracket by sliding the heater's fin in-between the washer and bracket.
5. Using the provided wire nuts, make wire connections (see reverse).
6. Restore power to operator.

## SL595 SELF-REGULATING HEATER KIT

The heater kit is a thermostatically controlled heater that should be installed in areas where the temperature drops below freezing. To install:

1. Disconnect power to operator.
2. Mount heater bracket to enclosure (Figure 2).
3. Attach heater to bracket by sliding the heater's fin in between the washer and bracket.
4. Replace transformer.
5. Using the provided wire nuts, make wire connections (see reverse).
6. Restore power to operator.

## WARNING

To prevent possible **SERIOUS INJURY** or **DEATH** from electrocution or fire, disconnect electric power to operator **BEFORE** installing.  
ALL electrical connections **MUST** be made by a qualified individual.

FIGURE 1

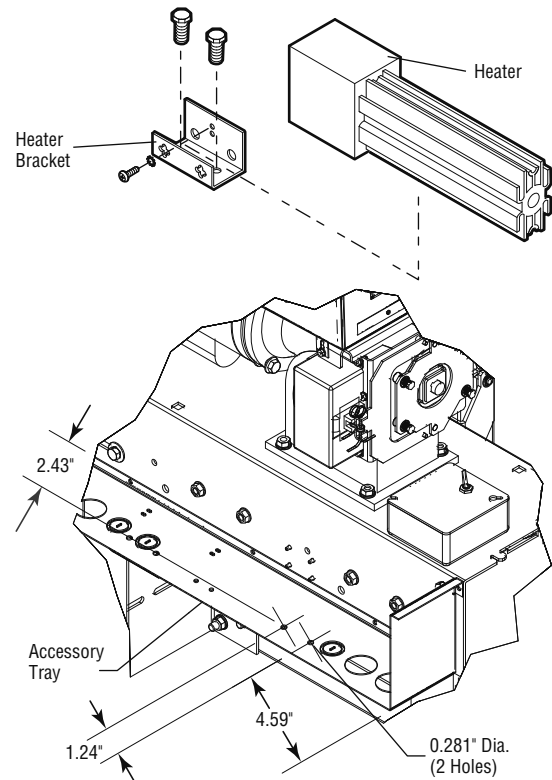
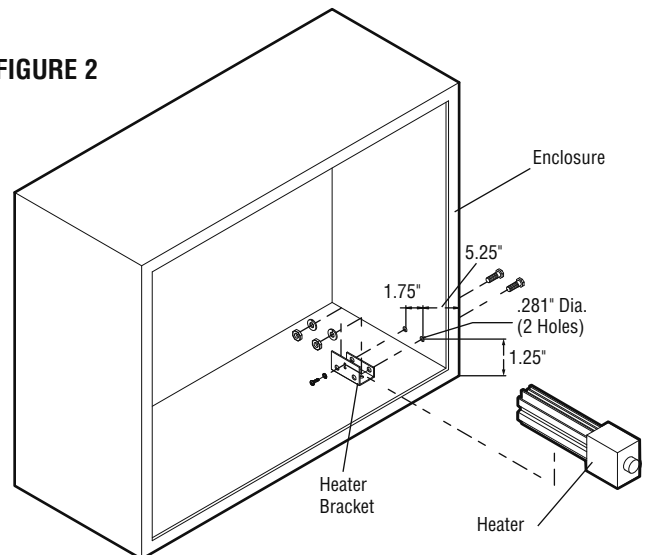


FIGURE 2

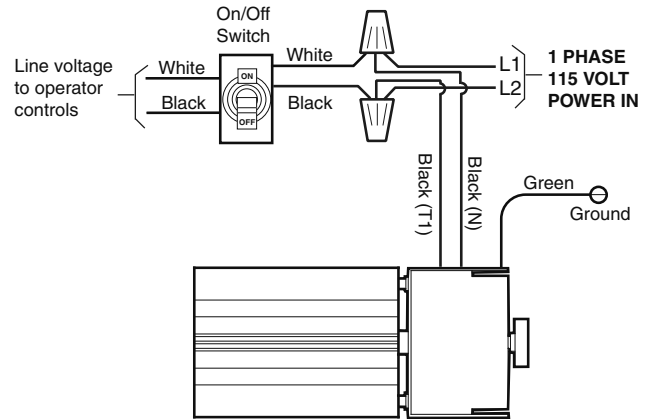


## HEATER WIRING DIAGRAM FOR 115V OPERATORS

### INSTRUCTIONS

- Route heater cable through a knockout hole on the operator switch box and connect to the incoming power line.
- Crimp ring lug (provided) onto ground wire and securely attach ground to the existing chassis ground.
- Ensure that all wiring is properly routed away from any moving parts. Use provided cable ties as necessary.
- After completing installation and checking for proper operation, place wiring diagram label (provided) on the inside cover of the electrical box.
- Factory setting for the heater is 15° C.

**NOTE:** Do not use the knockout hole which is used by installers during operator installation.



## HEATER WIRING DIAGRAM FOR 208, 230, 460 AND 575V OPERATORS

### INSTRUCTIONS

- Replace the existing 60VA transformer in the electrical box with the 100VA transformer on 208, 230 and 460V operators ONLY.
- Route heater cable through a knockout hole on the operator electrical box and connect to the transformer. Terminate unused transformer input wires.
- Crimp ring lug (provided) onto ground wire and securely attach ground to the existing chassis ground.
- Ensure that all wiring is properly routed away from any moving parts. Use provided cable ties as necessary.
- After completing installation and checking for proper operation, place wiring diagram label (provided) on the inside cover of the electrical box.
- Factory setting for the heater is 15° C.

