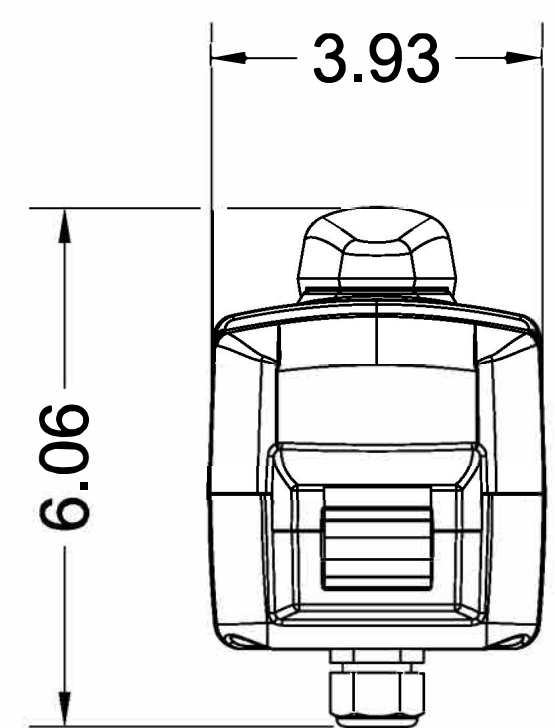
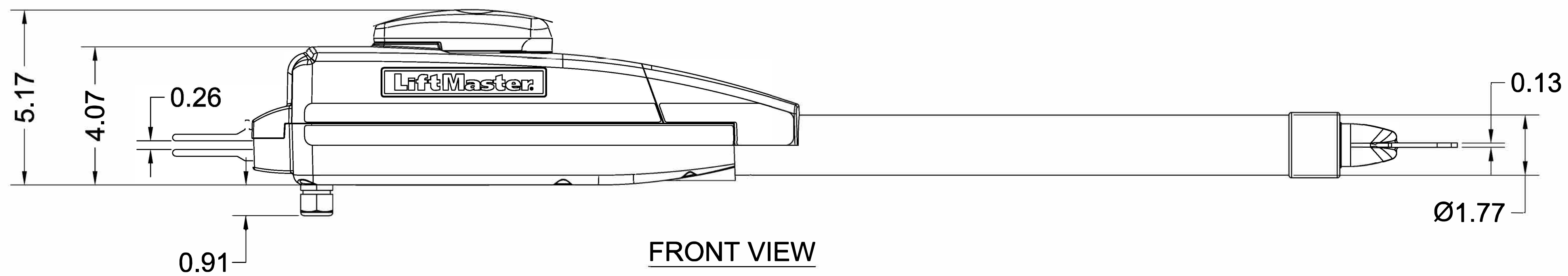


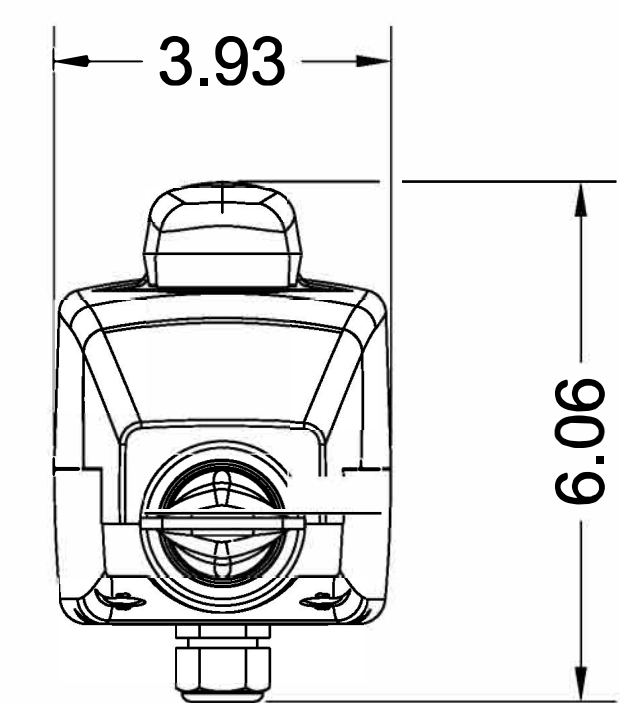
TOP VIEW



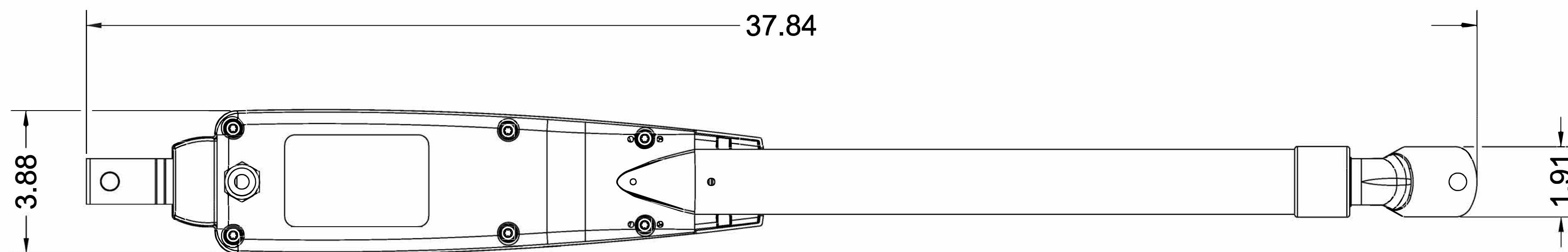
LEFT VIEW



FRONT VIEW



RIGHT VIEW



BOTTOM VIEW

(LA400U) 12VDC RESIDENTIAL
LINEAR ACTUATOR

LiftMaster®

LIFTMASTER (CHAMBERLAIN GROUP, INC.)
ENGINEERED SERVICES

DRW. BY: B. MOFFETT

REVISION:

DATE: 07/12/2019

SCALE: NTS

TITLE: LA400U LINEAR ACTUATOR

CAD FILE: -

SHEET NO:

1/1