

# GH (LOGIC 5.0) GEARHEAD HOIST OPERATOR

SECTION 08 71 13



## KEY FEATURES

### STANDARD APPLICATION

Recommended for rolling steel doors and heavy, high or standard-lift sectional overhead doors in heavy-duty, high-cycle commercial applications

### RATED DUTY CYCLE

Heavy-duty: Up to 25 cycles/hour and up to 125 cycles/day when distributed over a minimum of 8 hours (using continuous-rated motor)

### OPERATOR SPEED

8-9 inches per second

### LIMIT SETTINGS

Mechanical

### EMERGENCY DISCONNECT FOR MANUAL OPERATION

Floor-level emergency release sash chain

### EMERGENCY DISCONNECT WITH AUTO-RECONNECT

Reconnects when tension is removed from emergency release sash chain

### PROGRAMMING

Control function selector dial/tactile buttons

### CIRCUIT BOARD

Solid-state Logic 5.0 circuit board

### TIMER-TO-CLOSE

Programmable in 1 second and 15 second increments up to 68 minutes, standard

### CLUTCH

Optional adjustable friction clutch

### MID-STOP

Programmable

### RUN TIME PROTECTION

Maximum run timer

### MOTOR REVERSE ACTION PROTECTION

Delay-on-reverse circuit

### MOTOR OPERATOR WALL CONTROL

3-Button Control Station with Maintenance Alert System (MAS)

### PUSH BUTTON STATION

3-Push button station (Open/Close/Stop)

## SPECIFICATIONS

### RADIO RECEIVER

LiftMaster Security+2.0 and backwards compatible to Security+ 315 or 390 MHz residential garage openers

### VOLTAGE CONNECTIONS

Single-phase: 115V/230V dual voltage; 3-phase: 208V/230V/460V dual voltage; 3-phase: 575V single voltage

### CONTROL CIRCUIT

5VDC NEC class 2

### DRIVE REDUCTION

45:1 first-stage heavy-duty gears running in oil bath; cast iron housing; #50 output sprocket chain

### BEARINGS/BUSHINGS

Sealed roller bearings in gear reducer

### BRAKE

Standard

### CONSTRUCTION

NEMA 1 type electrical box; heavy-duty 11-gauge steel frame with durable powder coat finish; all reduction sprockets drilled and pinned to shafts

### WARRANTY

2 years

## INSTALLATION FEATURES

### UNIVERSAL MOUNTING

Up to 2 HP

### MAXIMUM DOOR HEIGHT

34 feet standard with additional capability\*

### MAXIMUM DOOR WIDTH

32 feet standard with additional capability\*

### MAXIMUM ALLOWABLE SQUARE FOOTAGE

1088 square feet

### INTERNET CONNECTIVITY

myQ® Technology enables remote monitoring and control of the commercial door via a smartphone, tablet, or computer\*\*

This commercial door operator must feature constant pressure to close or be equipped with an external monitored entrapment protection device. Use only LiftMaster monitored entrapment protection devices itemized on the accessory page of the operators installation manual to meet UL 325 requirements.

\* Contact us at [Specs@LiftMaster.com](mailto:Specs@LiftMaster.com) for additional capabilities.

\*\*LiftMaster Internet Gateway and myQ app required.

**C S W 2 4 U**

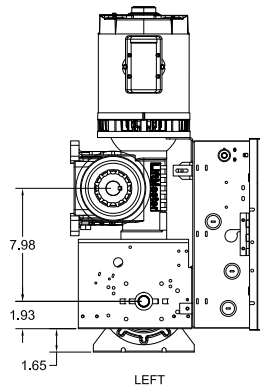
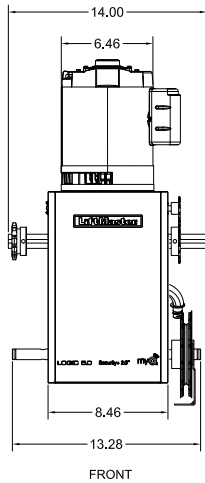
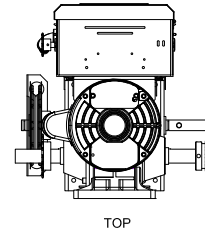
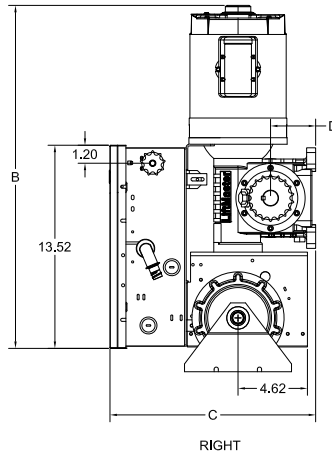
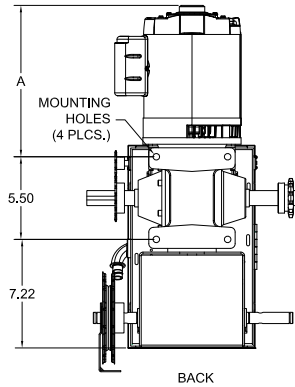
**GEARHEAD HOIST OPERATOR**

[www.SimpleGateOpener.com](http://www.SimpleGateOpener.com) | (888) 378 - 1618 | [Sales@SimpleGateOpener.com](mailto:Sales@SimpleGateOpener.com)

# GH (LOGIC 5.0) GEARHEAD HOIST OPERATOR

SECTION 08 71 13

## DIMENSIONS



OPERATOR DIMENSION TABLE

HP	PHASE	DIMENSIONS			
		A	B	C	D
1/2	1	10-1/16"	22-13/16"	13-11/16"	3"
3/4	1	10-9/16"	23-5/16"	13-11/16"	3"
1	1	12-1/16"	24-13/16"	13-11/16"	3-1/2"
1-1/2	1	12-1/16"	24-13/16"	14-13/16"	3"
1/2	3	10-1/16"	22-13/16"	13-11/16"	3"
3/4	3	10-9/16"	23-5/16"	13-11/16"	3"
1	3	11-1/16"	23-13/16"	13-11/16"	3"
1-1/2	3	12-1/16"	24-13/16"	14-13/16"	3-1/2"
2	3	12-9/16"	25-5/16"	14-13/16"	3-1/2"

## CAPACITY

MAXIMUM DOOR AREA (SQ. FT.)							
ROLLING	24 ga. Steel	22 ga. Steel	—	20 ga. 18 ga. Steel	16 ga. Steel	—	
	Aluminum Grilles	Aluminum Doors	—	Steel Grilles	—	—	
SECTIONAL	—	24 ga. 22 ga. Insulated	20 ga. Steel	—	16 ga. Steel	—	
	Fiberglass	Aluminum Doors	Wood Doors	—	—	—	
	—	—	24 ga. Steel Insulated	—	20 ga. Steel Insulated	16 ga. Steel Insulated	
HP	1/2	325	300	275	250	225	175
	3/4	480	430	390	340	275	225
	1	650	560	500	430	325	300
	1-1/2	—	—	680	540	425	375
	2	—	—	—	640	560	460
3	—	—	—	875	840	620	
5	Call factory for specifications						

Notes:

- Dimensions A, B & C may vary per motor manufacturer specification revisions and special modifications to the operator.

On steel insulated doors, a 24-gauge back panel is assumed. If a heavier back panel is supplied, use the next higher HP rating. Recommended max duty cycles: 25 per hour, in excess of 90/day.